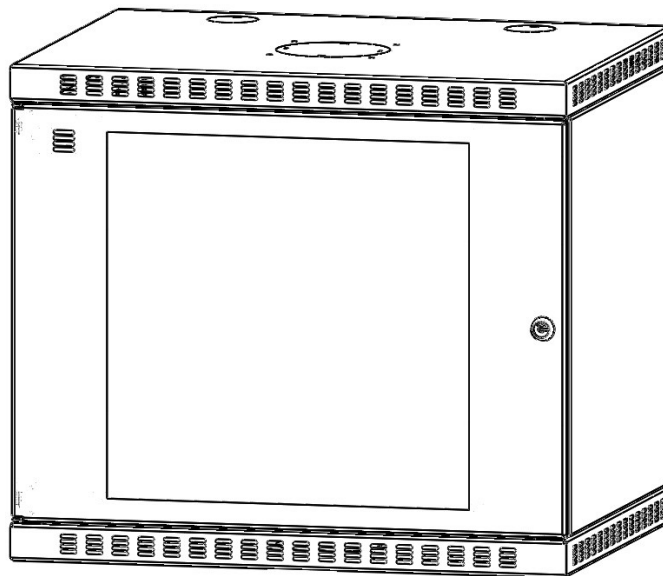


# KENDALL HOWARD ®

## Installation Instructions

### Shallow Depth Wall Mount Cabinet

Part Number: 1915-3-100-06, 1915-3-100-09,  
1915-3-100-12



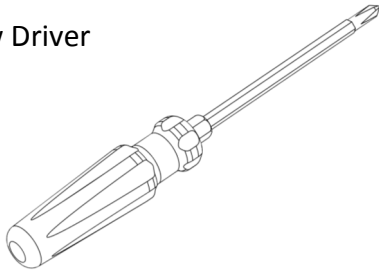
Address: 10152 Liberty Lane  
Chisago City, Minnesota, 55013  
United States of America

Phone: 651-213-1333  
Fax: 800-418-6897

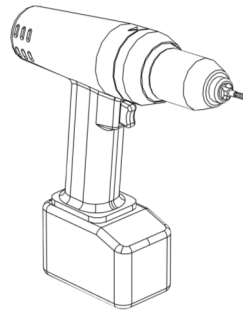
[www.kendallhoward.com](http://www.kendallhoward.com)

Tools needed:

Screw Driver



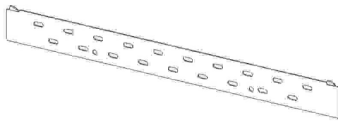
May also need  
a Power Drill



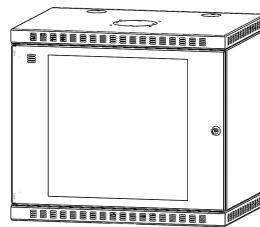
*Bolts and wall anchors are not included*

What is included...

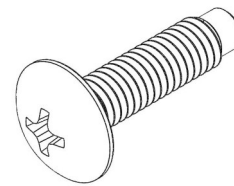
1x Hanging Bracket Kit



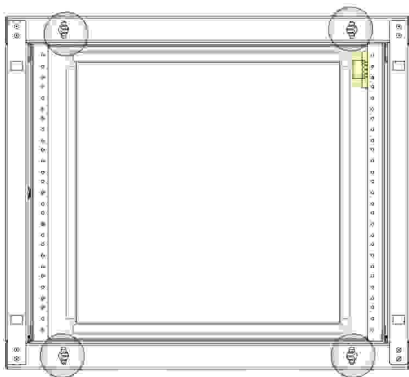
1x Cabinet



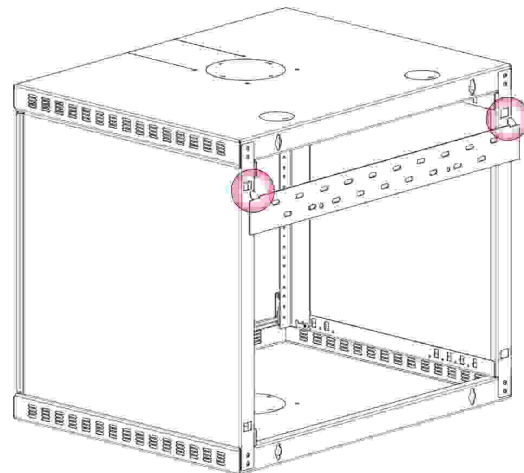
24x 10-32 Rack Screws



Step 1: Hanging the cabinet on the Wall. The cabinet must be hung using the appropriate wall mount anchors or fasteners for your wall material. Each cabinet contains four keyhole mounting holes, which are utilized to secure the cabinet to the wall.



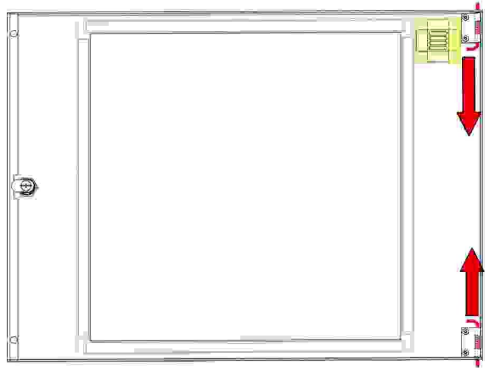
Step 2: Use the hanging bracket to assist mounting the cabinet to the wall. The hanging bracket can be mounted to the wall prior to fastening down through the keyholes. When securing the hanging bracket to the wall, lift the cabinet and hang on the two points going through the square clearance holes on the cabinet.



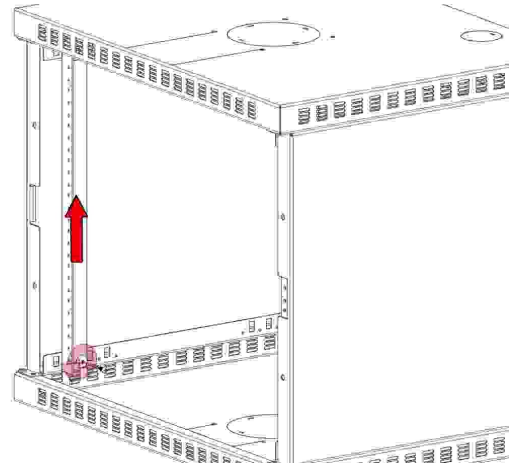
For details about product warranty, please visit [www.kendallhoward.com](http://www.kendallhoward.com)

**DISCLAIMER:** Kendall Howard LLC. endeavors to make this manual accurate and complete. However, Kendall Howard LLC makes no representations or warranties of any kind, expressed or implied, about whether the use of products contained herein would infringe any rights or the correctness, accuracy or reliability of the information contained herein or that said information covers all details, conditions or variations. The information herein does not provide for every possible contingency in connection with the installation or use of the product(s). The information contained in this document is subject to change without notice or obligation. Kendall Howard LLC assumes no responsibility for the accuracy, completeness or reliability of the information contained in this document. Any reliance placed on the information is therefore strictly at your own risk.

Step 3: To remove the door, pull the spring loaded hinges to release the door. The door can be reversed and mounted the opposite orientation.



Step 4: To move the rails, use a Philips head screw driver to remove the sheet metal screw on each rail. Lift up on the rail and pull toward you to remove the rail. Find your desired mounting depth before dropping your rail into place. The sheet metal screw can be discarded. The screw is used to secure rail during shipping.



For details about product warranty, please visit [www.kendallhoward.com](http://www.kendallhoward.com)

**DISCLAIMER:** Kendall Howard LLC. endeavors to make this manual accurate and complete. However, Kendall Howard LLC makes no representations or warranties of any kind, expressed or implied, about whether the use of products contained herein would infringe any rights or the correctness, accuracy or reliability of the information contained herein or that said information covers all details, conditions or variations. The information herein does not provide for every possible contingency in connection with the installation or use of the product(s). The information contained in this document is subject to change without notice or obligation. Kendall Howard LLC assumes no responsibility for the accuracy, completeness or reliability of the information contained in this document. Any reliance placed on the information is therefore strictly at your own risk.