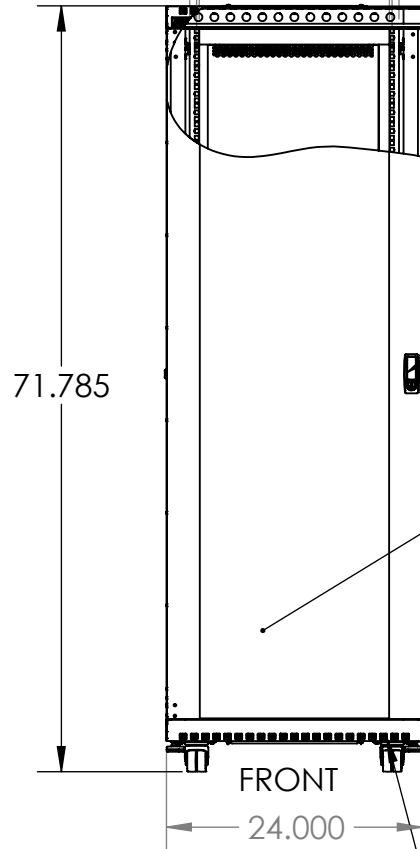
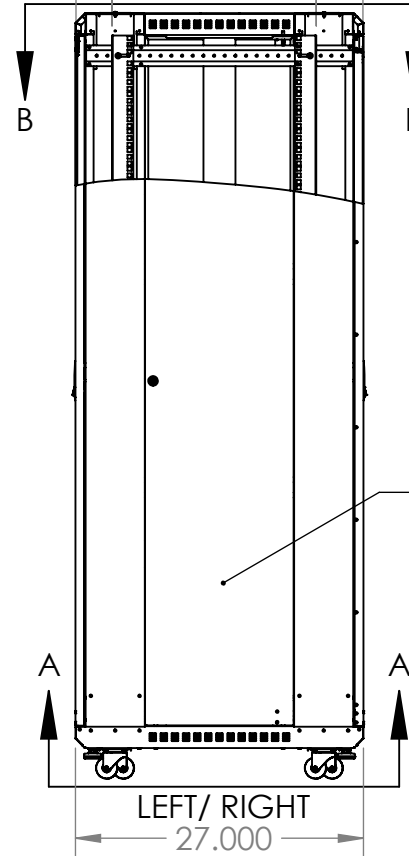


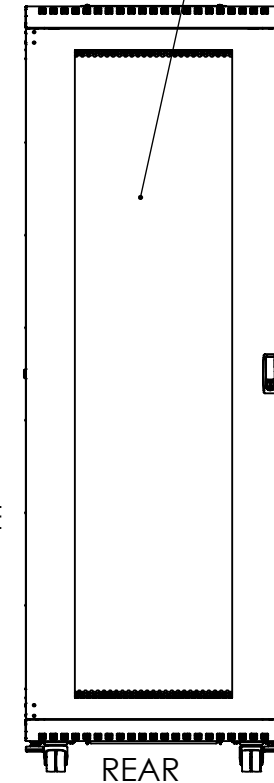
19.636 MAX
 18.312
 HOLE TO HOLE
 17.812
 INSIDE RAIL



1.210 MIN
 DOOR CLEARANCE



HINGED/
 REMOVABLE
 PERFORATED
 DOOR



KEYED LOCK
 FRONT, SIDES
 AND REAR

HINGED/
 REMOVABLE
 GLASS DOOR

VENTING FRONT,
 SIDES AND REAR,
 TOP AND BOTTOM

HINGED/
 REMOVABLE
 SIDE PANELS

- NOTE:
1. 19" EIA RACK MOUNT COMPLIANT.
 2. RAILS ACCEPT 3/8" CAGENUT.
 3. BLACK POWDER COAT.

UNLESS OTHERWISE SPECIFIED:
 DIMENSIONS ARE IN INCHES
 TOLERANCES:
 FRACTIONAL $\pm 1/8$
 ANGULAR: BEND ± 1 DEGREE
 TWO PLACE DECIMAL $\pm .03$
 THREE PLACE DECIMAL $\pm .01$
 Surface Area

WEB PRINT

PROPRIETARY AND CONFIDENTIAL
 THE INFORMATION CONTAINED IN THIS
 DRAWING IS THE SOLE PROPERTY OF
 KENDALL HOWARD. ANY REPRODUCTION
 IN PART OR AS A WHOLE WITHOUT THE
 WRITTEN PERMISSION OF KENDALL HOWARD
 IS STRICTLY PROHIBITED.

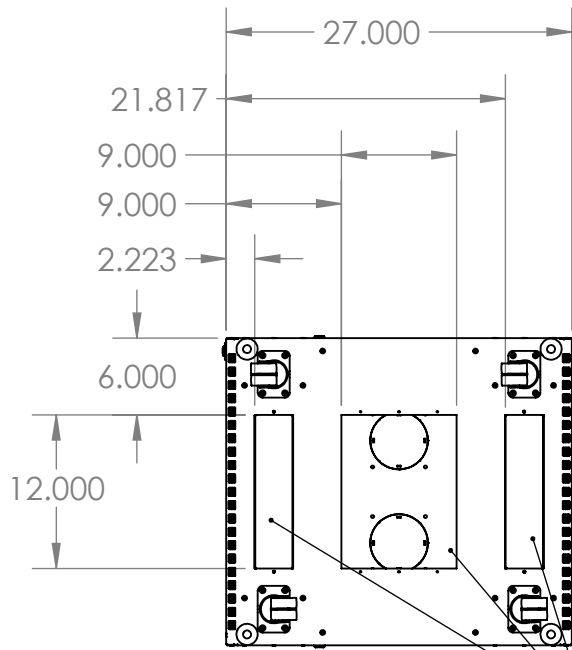
NEXT ASSY		USED ON	FINISH
APPLICATION		DO NOT SCALE DRAWING	

NAME	DATE
DRAWN	
CHECKED	
ENG APPR.	
MFG APPR.	
Q.A.	
COMMENTS:	

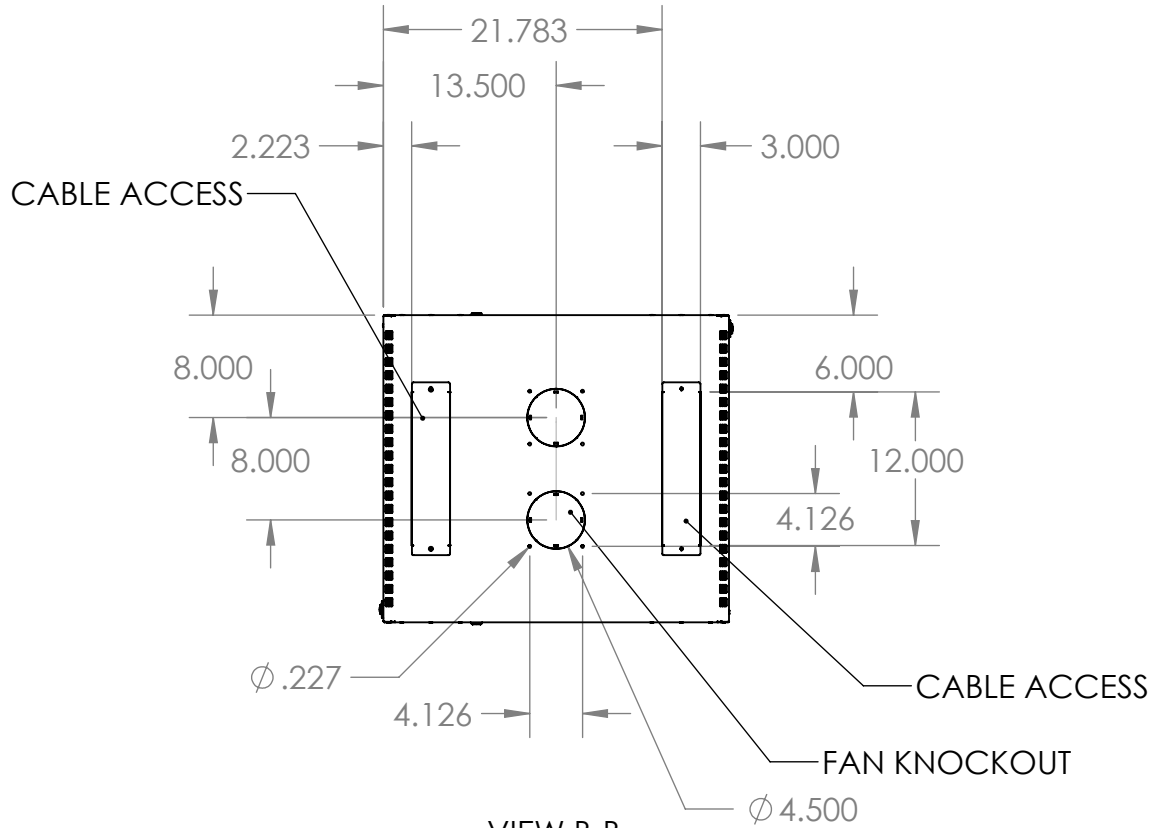
KENDALL HOWARD

TITLE:
**37U LINIER AV GLASS
 FRONT/ VENTED REAR**

SIZE	DWG. NO.	REV
A	3100-3-024-37 WP	
SCALE: 1:20	WEIGHT: 135.96	SHEET 1 OF 2



VIEW A-A
SCALE 1 : 15
BOTTOM VIEW



VIEW B-B
SCALE 1 : 15
TOP VIEW

PROPRIETARY AND CONFIDENTIAL
THE INFORMATION CONTAINED IN THIS DRAWING IS THE SOLE PROPERTY OF KENDALL HOWARD. ANY REPRODUCTION IN PART OR AS A WHOLE WITHOUT THE WRITTEN PERMISSION OF KENDALL HOWARD IS STRICTLY PROHIBITED.

WEB PRINT

NEXT ASSY		USED ON	APPLICATION
MATERIAL		FINISH	DO NOT SCALE DRAWING

UNLESS OTHERWISE SPECIFIED:
DIMENSIONS ARE IN INCHES
TOLERANCES:
FRACTIONAL $\pm 1/8$
ANGULAR: BEND ± 1 DEGREE
TWO PLACE DECIMAL $\pm .03$
THREE PLACE DECIMAL $\pm .01$

Surface Area	NAME	DATE
MATERIAL	DRAWN	
FINISH	CHECKED	
	ENG APPR.	
	MFG APPR.	
	Q.A.	
	COMMENTS:	

KENDALL HOWARD

TITLE:
**37U LINIER AV GLASS
FRONT/ VENTED REAR**

SIZE DWG. NO. REV
A 3100-3-024-37 WP

SCALE: 1:20 WEIGHT: 135.96 SHEET 2 OF 2