

- NOTE:
1. 19" EIA RACK MOUNT COMPLIANT.
 2. RAILS ACCEPT 3/8" CAGENUT.
 3. BLACK POWDER COAT.

VENTING FRONT,
IDES AND REAR,
TOP AND BOTTOM

UNLESS OTHERWISE SPECIFIED:
DIMENSIONS ARE IN INCHES
TOLERANCES:
FRACTIONAL $\pm 1/8$
ANGULAR: BEND ± 1 DEGREE
TWO PLACE DECIMAL $\pm .03$
THREE PLACE DECIMAL $\pm .01$
Surface Area

WEB PRINT	
NEXT ASSY	USED ON
APPLICATION	
DO NOT SCALE DRAWING	

PROPRIETARY AND CONFIDENTIAL
THE INFORMATION CONTAINED IN THIS
DRAWING IS THE SOLE PROPERTY OF
KENDALL HOWARD. ANY REPRODUCTION
IN PART OR AS A WHOLE WITHOUT THE
WRITTEN PERMISSION OF KENDALL HOWARD
IS STRICTLY PROHIBITED.

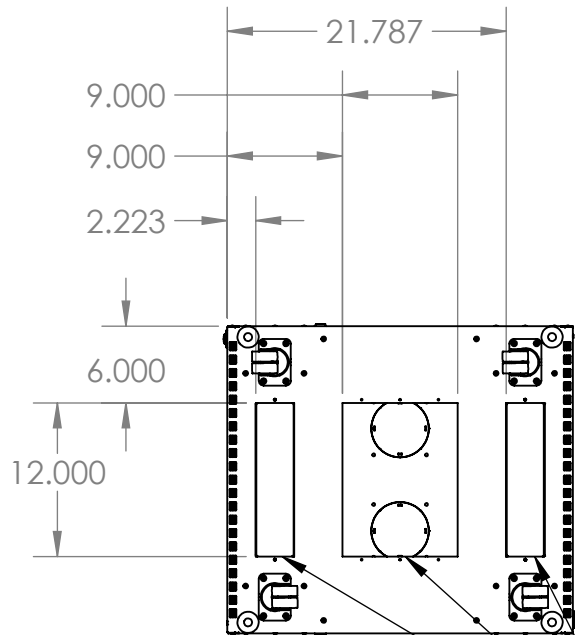
NAME	DATE
DRAWN	
CHECKED	
ENG APPR.	
MFG APPR.	
Q.A.	
COMMENTS:	

KENDALL HOWARD

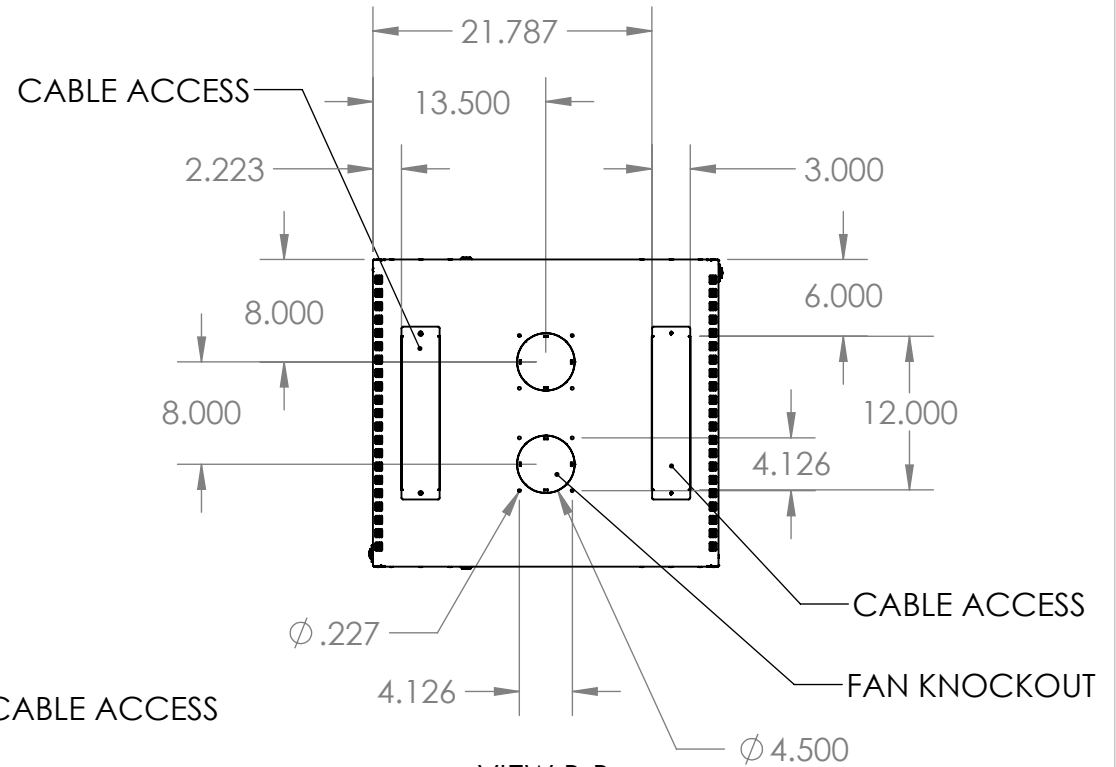
TITLE:
**37U LINIER AV GLASS
FRONT/ SOLID REAR**

SIZE	DWG. NO.	REV
A	3101-3-024-37 WP	

SCALE: 1:20 WEIGHT: 135.52 SHEET 1 OF 2



VIEW A-A
SCALE 1 : 15
BOTTOM VIEW



VIEW B-B
SCALE 1 : 15
TOP VIEW

PROPRIETARY AND CONFIDENTIAL
THE INFORMATION CONTAINED IN THIS DRAWING IS THE SOLE PROPERTY OF KENDALL HOWARD. ANY REPRODUCTION IN PART OR AS A WHOLE WITHOUT THE WRITTEN PERMISSION OF KENDALL HOWARD IS STRICTLY PROHIBITED.

WEB PRINT

NEXT ASSY		USED ON	APPLICATION
MATERIAL		FINISH	DO NOT SCALE DRAWING

UNLESS OTHERWISE SPECIFIED:
DIMENSIONS ARE IN INCHES
TOLERANCES:
FRACTIONAL $\pm 1/8$
ANGULAR: BEND ± 1 DEGREE
TWO PLACE DECIMAL $\pm .03$
THREE PLACE DECIMAL $\pm .01$

Surface Area	NAME	DATE
MATERIAL	DRAWN	
FINISH	CHECKED	
	ENG APPR.	
	MFG APPR.	
	Q.A.	
	COMMENTS:	

KENDALL HOWARD

TITLE:
37U LINIER AV GLASS
FRONT/ SOLID REAR

SIZE	DWG. NO.	REV
A	3101-3-024-37 WP	

SCALE: 1:20 WEIGHT: 135.52 SHEET 2 OF 2