

NOTE:
22.5 MAX RAIL TO RAIL
12.5 MIN RAIL TO RAIL

WEB PRINT

PROPRIETARY AND CONFIDENTIAL
THE INFORMATION CONTAINED IN THIS DRAWING IS THE SOLE PROPERTY OF KENDALL HOWARD. ANY REPRODUCTION IN PART OR AS A WHOLE WITHOUT THE WRITTEN PERMISSION OF KENDALL HOWARD IS STRICTLY PROHIBITED.

NEXT ASSY

USED ON

APPLICATION

UNLESS OTHERWISE SPECIFIED:
DIMENSIONS ARE IN INCHES
TOLERANCES:
FRACTIONAL $\pm 1/8$
ANGULAR: BEND ± 1 DEGREE
TWO PLACE DECIMAL $\pm .03$
THREE PLACE DECIMAL $\pm .01$

Surface Area

MATERIAL

FINISH

DO NOT SCALE DRAWING

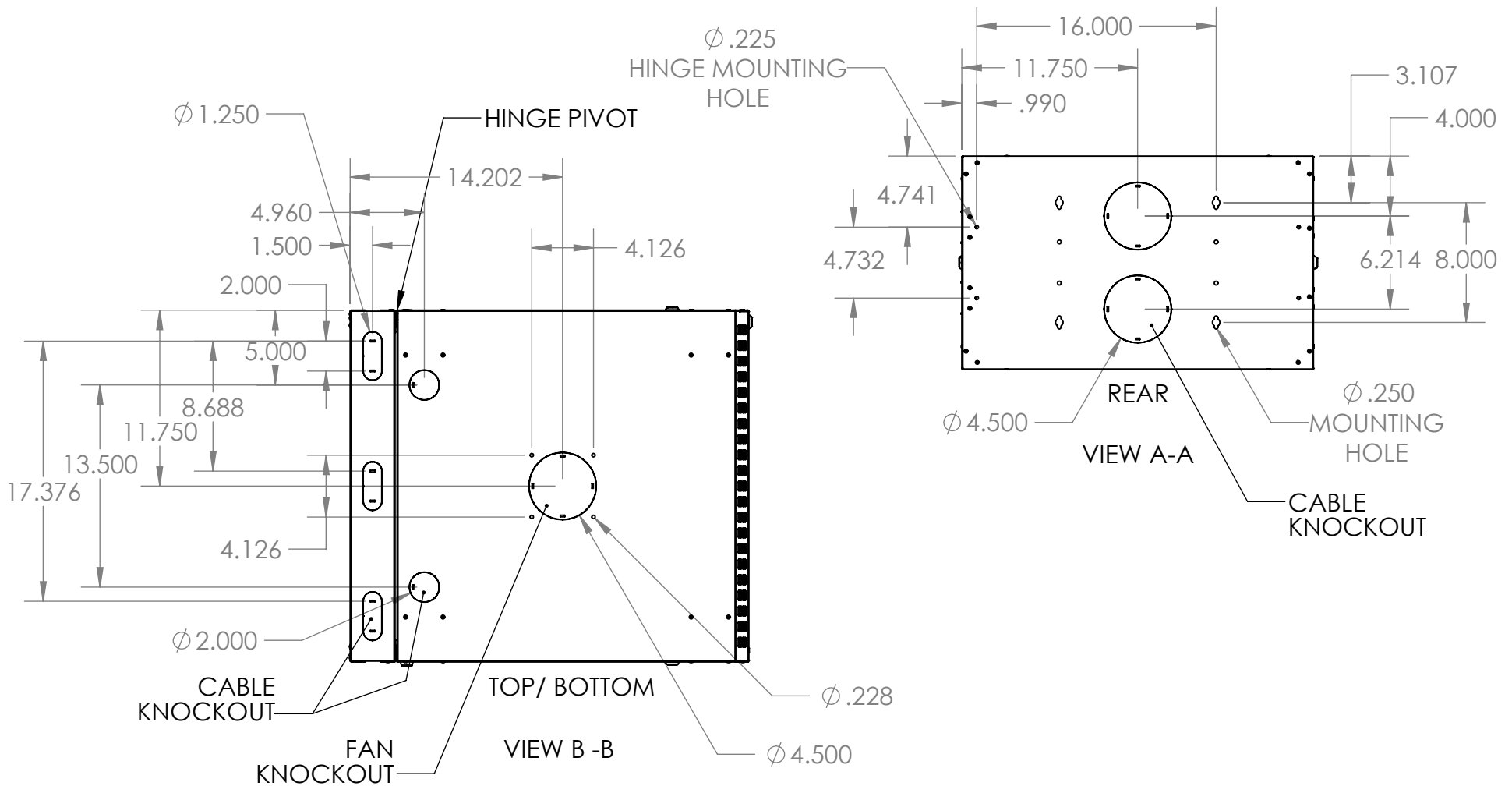
	NAME	DATE
DRAWN		
CHECKED		
ENG APPR.		
MFG APPR.		
Q.A.		
COMMENTS:		

KENDALL HOWARD

TITLE:
6U LINIER WM SWINGOUT CABINET- GLASS DOOR

SIZE	DWG. NO.	REV
A	3130-3-001-06 WP	

SCALE: 1:10 WEIGHT: 41.58 SHEET 1 OF 2



PROPRIETARY AND CONFIDENTIAL
 THE INFORMATION CONTAINED IN THIS DRAWING IS THE SOLE PROPERTY OF KENDALL HOWARD. ANY REPRODUCTION IN PART OR AS A WHOLE WITHOUT THE WRITTEN PERMISSION OF KENDALL HOWARD IS STRICTLY PROHIBITED.

WEB PRINT

WEB PRINT		UNLESS OTHERWISE SPECIFIED: DIMENSIONS ARE IN INCHES TOLERANCES: FRACTIONAL $\pm 1/8$ ANGULAR: BEND ± 1 DEGREE TWO PLACE DECIMAL $\pm .03$ THREE PLACE DECIMAL $\pm .01$ Surface Area
NEXT ASSY	USED ON	MATERIAL
APPLICATION		FINISH
		DO NOT SCALE DRAWING

	NAME	DATE
DRAWN		
CHECKED		
ENG APPR.		
MFG APPR.		
Q.A.		
COMMENTS:		

KENDALL HOWARD

TITLE:
**6U LINIER WM SWINGOUT
 CABINET- GLASS DOOR**

SIZE	DWG. NO.	REV
A	3130-3-001-06 WP	
SCALE: 1:10	WEIGHT: 41.58	SHEET 2 OF 2

5

4

3

2

1