

NOTE:
22.5 MAX RAIL TO RAIL
12.5 MIN RAIL TO RAIL

UNLESS OTHERWISE SPECIFIED:
DIMENSIONS ARE IN INCHES
TOLERANCES:
FRACTIONAL $\pm 1/8$
ANGULAR: BEND ± 1 DEGREE
TWO PLACE DECIMAL $\pm .03$
THREE PLACE DECIMAL $\pm .01$

Surface Area	
MATERIAL	
FINISH	
APPLICATION	DO NOT SCALE DRAWING

	NAME	DATE
DRAWN		
CHECKED		
ENG APPR.		
MFG APPR.		
Q.A.		
COMMENTS:		

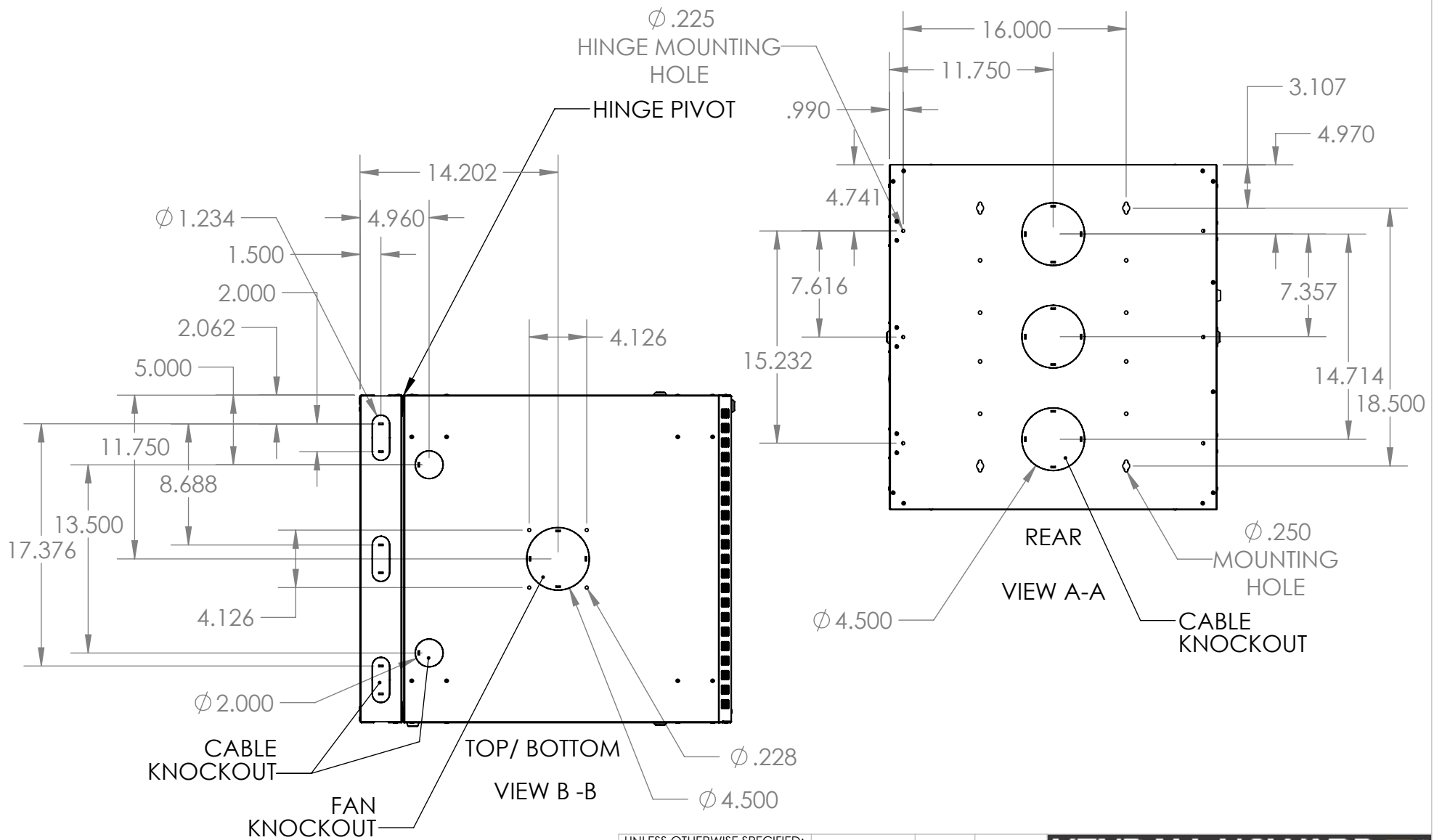
KENDALL HOWARD

TITLE:
12U LINIER WM SWINGOUT CABINET- GLASS DOOR

SIZE	DWG. NO.	REV
A	3130-3-001-12 WP	
SCALE: 1:10	WEIGHT: 56.89	SHEET 1 OF 2

PROPRIETARY AND CONFIDENTIAL
THE INFORMATION CONTAINED IN THIS DRAWING IS THE SOLE PROPERTY OF KENDALL HOWARD. ANY REPRODUCTION IN PART OR AS A WHOLE WITHOUT THE WRITTEN PERMISSION OF KENDALL HOWARD IS STRICTLY PROHIBITED.

WEB PRINT	
NEXT ASSY	USED ON
APPLICATION	



PROPRIETARY AND CONFIDENTIAL
 THE INFORMATION CONTAINED IN THIS DRAWING IS THE SOLE PROPERTY OF KENDALL HOWARD. ANY REPRODUCTION IN PART OR AS A WHOLE WITHOUT THE WRITTEN PERMISSION OF KENDALL HOWARD IS STRICTLY PROHIBITED.

WEB PRINT	
NEXT ASSY	USED ON
APPLICATION	

UNLESS OTHERWISE SPECIFIED:
 DIMENSIONS ARE IN INCHES
 TOLERANCES:
 FRACTIONAL \pm 1/8
 ANGULAR: BEND \pm 1 DEGREE
 TWO PLACE DECIMAL \pm .03
 THREE PLACE DECIMAL \pm .01
 Surface Area
 MATERIAL
 FINISH
 DO NOT SCALE DRAWING

DRAWN	NAME	DATE
CHECKED		
ENG APPR.		
MFG APPR.		
Q.A.		
COMMENTS:		

KENDALL HOWARD

TITLE:
12U LINIER WM SWINGOUT CABINET- GLASS DOOR

SIZE	DWG. NO.	REV
A	3130-3-001-12 WP	

SCALE: 1:10 WEIGHT: 56.89 SHEET 2 OF 2