

NOTE:
22.5 MAX RAIL TO RAIL
12.5 MIN RAIL TO RAIL

UNLESS OTHERWISE SPECIFIED:
DIMENSIONS ARE IN INCHES
TOLERANCES:
FRACTIONAL $\pm 1/8$
ANGULAR: BEND ± 1 DEGREE
TWO PLACE DECIMAL $\pm .03$
THREE PLACE DECIMAL $\pm .01$

Surface Area


MATERIAL

FINISH

APPLICATION

DO NOT SCALE DRAWING

	NAME	DATE
DRAWN		
CHECKED		
ENG APPR.		
MFG APPR.		
Q.A.		
COMMENTS:		

KENDALL HOWARD 

TITLE:
**15U LINIER WM SWINGOUT
CABINET- SOLID DOOR**

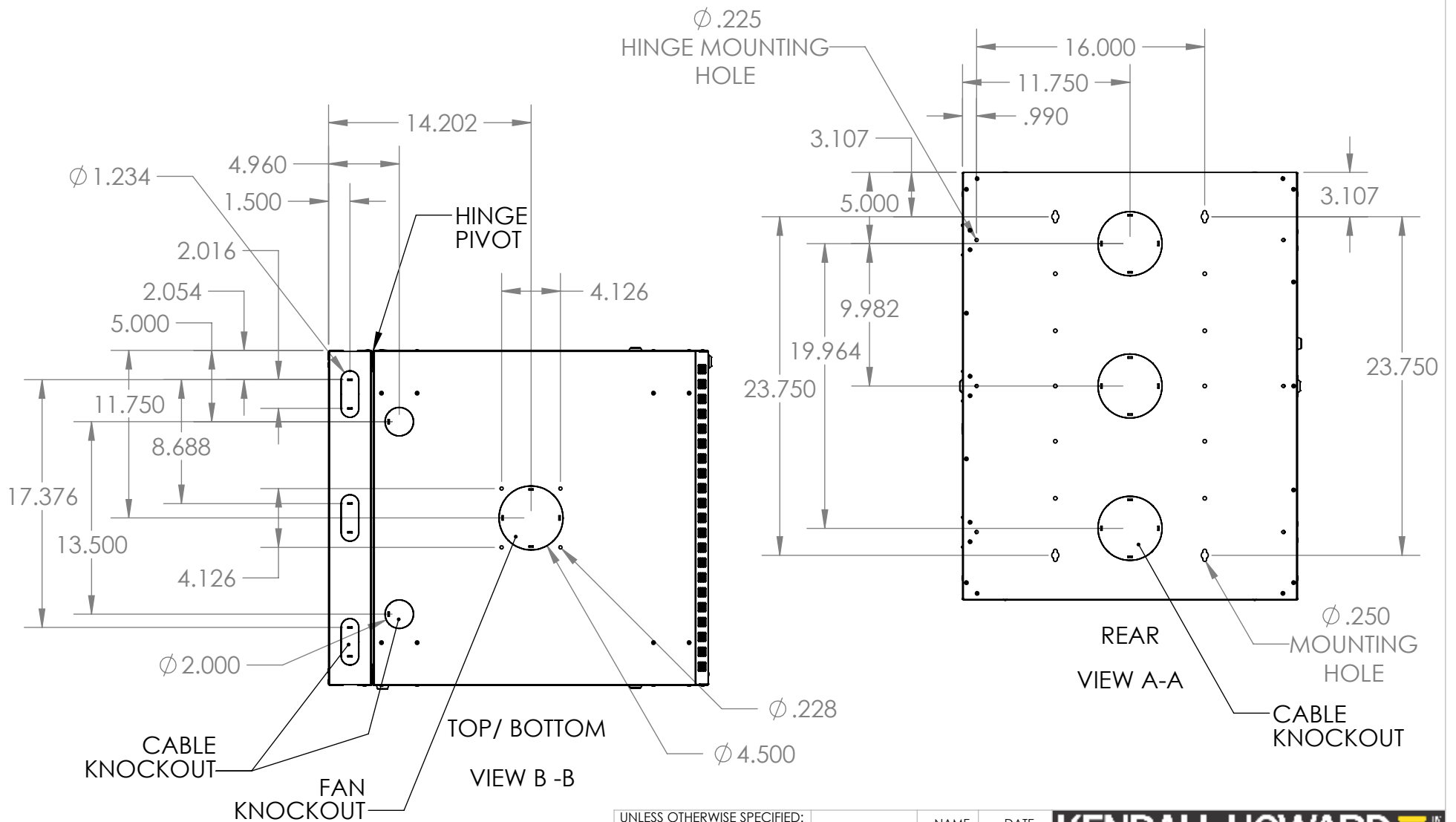
SIZE	DWG. NO.	REV
A	3131-3-001-15 WP	

SCALE: 1:10 WEIGHT: 63.15 SHEET 1 OF 2

WEB PRINT

PROPRIETARY AND CONFIDENTIAL
THE INFORMATION CONTAINED IN THIS DRAWING IS THE SOLE PROPERTY OF KENDALL HOWARD. ANY REPRODUCTION IN PART OR AS A WHOLE WITHOUT THE WRITTEN PERMISSION OF KENDALL HOWARD IS STRICTLY PROHIBITED.

NEXT ASSY	USED ON
APPLICATION	



UNLESS OTHERWISE SPECIFIED:
 DIMENSIONS ARE IN INCHES
 TOLERANCES:
 FRACTIONAL $\pm 1/8$
 ANGULAR: BEND ± 1 DEGREE
 TWO PLACE DECIMAL $\pm .03$
 THREE PLACE DECIMAL $\pm .01$
 Surface Area

WEB PRINT

PROPRIETARY AND CONFIDENTIAL
 THE INFORMATION CONTAINED IN THIS DRAWING IS THE SOLE PROPERTY OF KENDALL HOWARD. ANY REPRODUCTION IN PART OR AS A WHOLE WITHOUT THE WRITTEN PERMISSION OF KENDALL HOWARD IS STRICTLY PROHIBITED.

NEXT ASSY		USED ON	
APPLICATION		DO NOT SCALE DRAWING	

	NAME	DATE
DRAWN		
CHECKED		
ENG APPR.		
MFG APPR.		
Q.A.		
COMMENTS:		

KENDALL HOWARD

TITLE:
15U LINIER WM SWINGOUT CABINET- SOLID DOOR

SIZE	DWG. NO.	REV
A	3131-3-001-15 WP	

SCALE: 1:10 WEIGHT: 63.15 SHEET 2 OF 2