

NOTE:
 22.5 MAX RAIL TO RAIL
 12.5 MIN RAIL TO RAIL

UNLESS OTHERWISE SPECIFIED:
 DIMENSIONS ARE IN INCHES
 TOLERANCES:
 FRACTIONAL $\pm 1/8$
 ANGULAR: BEND ± 1 DEGREE
 TWO PLACE DECIMAL $\pm .03$
 THREE PLACE DECIMAL $\pm .01$
 Surface Area

WEB PRINT

PROPRIETARY AND CONFIDENTIAL
 THE INFORMATION CONTAINED IN THIS DRAWING IS THE SOLE PROPERTY OF KENDALL HOWARD. ANY REPRODUCTION IN PART OR AS A WHOLE WITHOUT THE WRITTEN PERMISSION OF KENDALL HOWARD IS STRICTLY PROHIBITED.

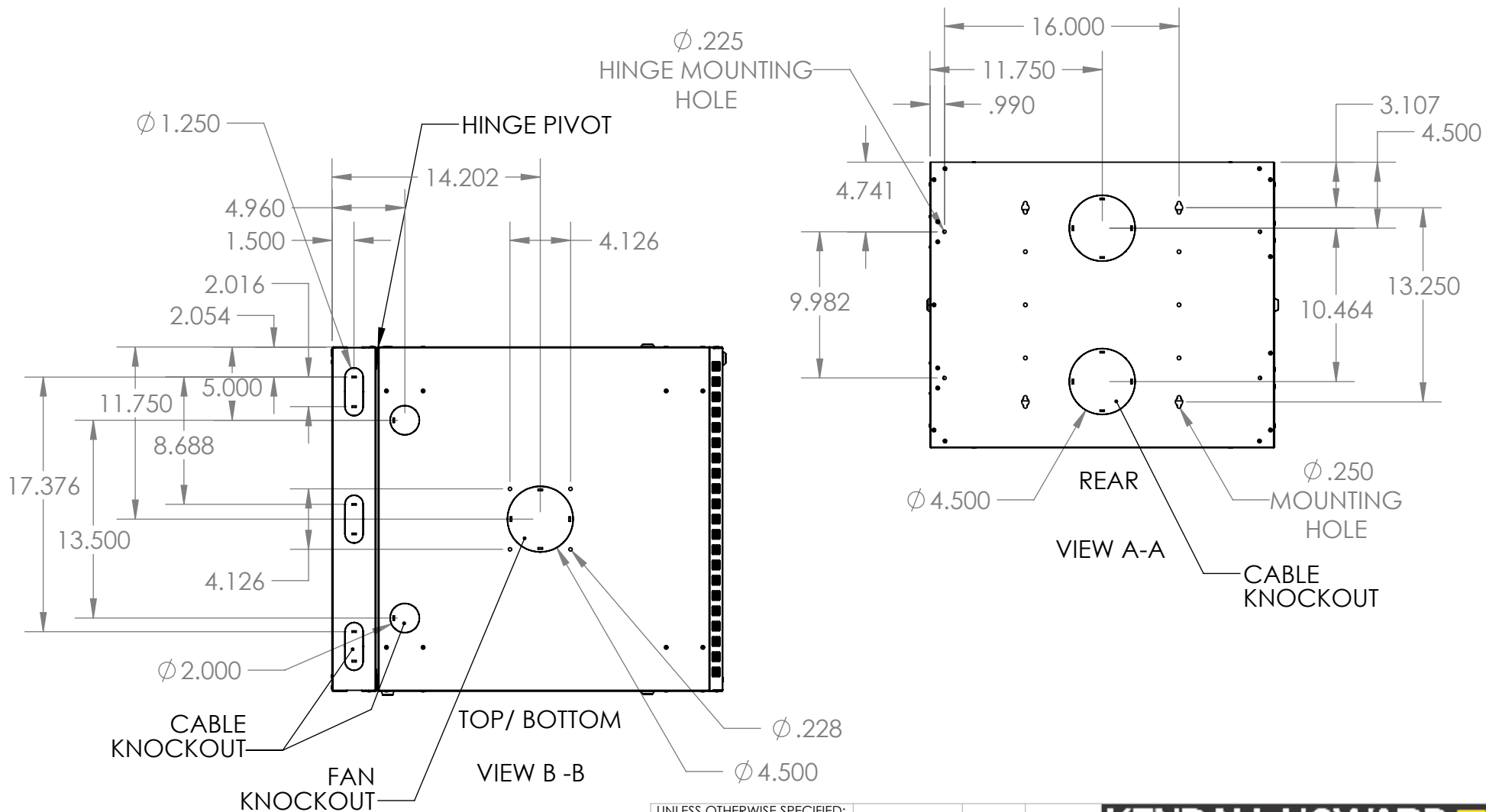
NEXT ASSY		USED ON	MATERIAL
APPLICATION		FINISH	DO NOT SCALE DRAWING

	NAME	DATE
DRAWN		
CHECKED		
ENG APPR.		
MFG APPR.		
Q.A.		
COMMENTS:		

KENDALL HOWARD

TITLE:
9U LINIER WM SWINGOUT CABINET- PERFORATED DOOR

SIZE	DWG. NO.	REV
A	3132-3-001-09 WP	
SCALE: 1:10	WEIGHT: 47.69	SHEET 1 OF 2



UNLESS OTHERWISE SPECIFIED:
 DIMENSIONS ARE IN INCHES
 TOLERANCES:
 FRACTIONAL ± 1/8
 ANGULAR: BEND ± 1 DEGREE
 TWO PLACE DECIMAL ± .03
 THREE PLACE DECIMAL ± .01

WEB PRINT

PROPRIETARY AND CONFIDENTIAL
 THE INFORMATION CONTAINED IN THIS
 DRAWING IS THE SOLE PROPERTY OF
 KENDALL HOWARD. ANY REPRODUCTION
 IN PART OR AS A WHOLE WITHOUT THE
 WRITTEN PERMISSION OF KENDALL HOWARD
 IS STRICTLY PROHIBITED.

NEXT ASSY		USED ON	FINISH
APPLICATION		DO NOT SCALE DRAWING	

NAME	DATE
DRAWN	
CHECKED	
ENG APPR.	
MFG APPR.	
Q.A.	
COMMENTS:	

KENDALL HOWARD

TITLE:
**9U LINIER WM SWINGOUT
 CABINET- PERFORATED DOOR**

SIZE	DWG. NO.	REV
A	3132-3-001-09 WP	

SCALE: 1:10 WEIGHT: 47.69 SHEET 2 OF 2