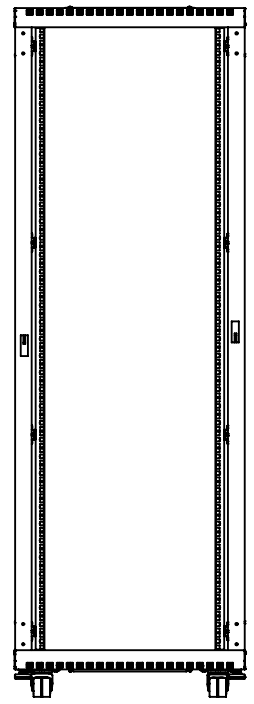
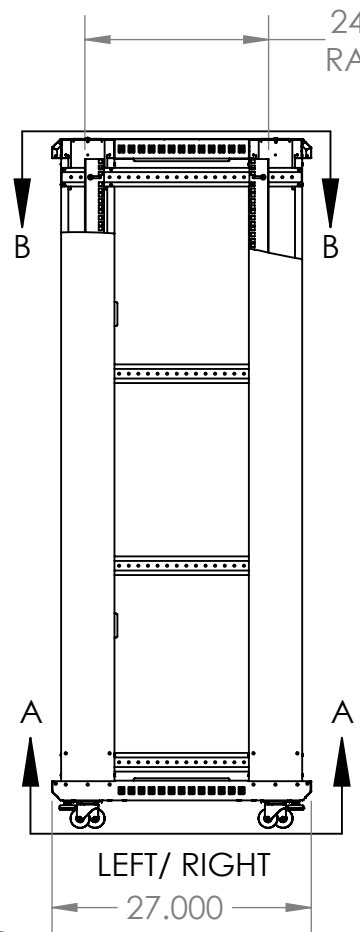
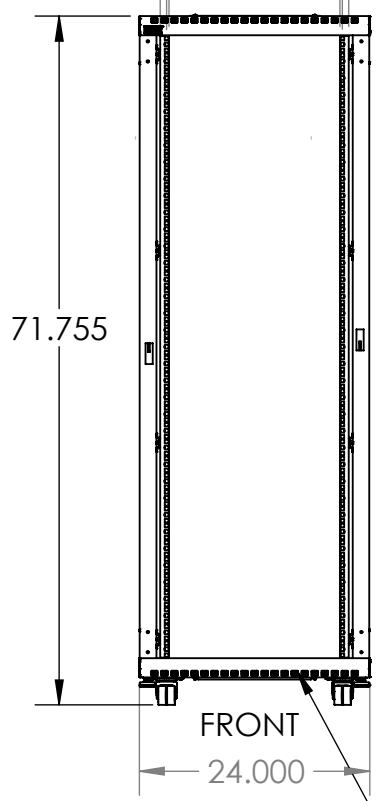


19.636 MAX  
 18.312  
 HOLE TO HOLE  
 17.812  
 INSIDE RAIL

24.138 MAX  
 RAIL TO RAIL



VENTING FRONT,  
 SIDES AND REAR,  
 TOP AND BOTTOM

- NOTE:
1. 19" EIA RACK MOUNT COMPLIANT.
  2. RAILS ACCEPT 3/8" CAGENUT.
  3. BLACK POWDER COAT.

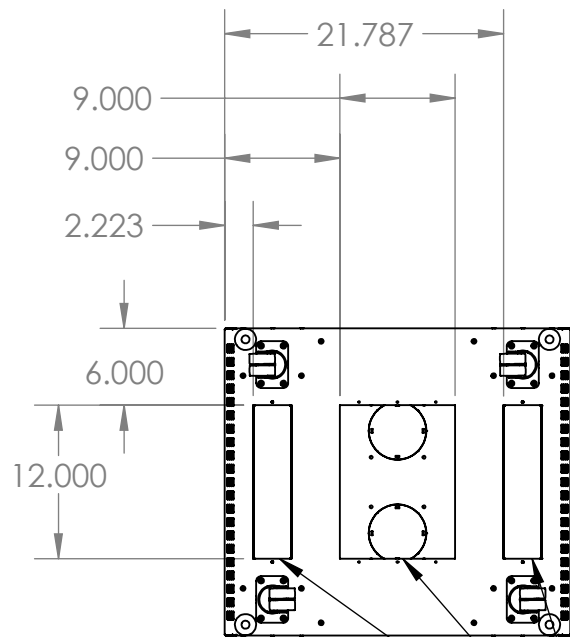
**PROPRIETARY AND CONFIDENTIAL**  
 THE INFORMATION CONTAINED IN THIS DRAWING IS THE SOLE PROPERTY OF KENDALL HOWARD. ANY REPRODUCTION IN PART OR AS A WHOLE WITHOUT THE WRITTEN PERMISSION OF KENDALL HOWARD IS STRICTLY PROHIBITED.

<b>WEB PRINT</b>		UNLESS OTHERWISE SPECIFIED: DIMENSIONS ARE IN INCHES TOLERANCES: FRACTIONAL $\pm 1/8$ ANGULAR: BEND $\pm 1$ DEGREE TWO PLACE DECIMAL $\pm .03$ THREE PLACE DECIMAL $\pm .01$ Surface Area		NAME	DATE
		MATERIAL	FINISH		
NEXT ASSY	USED ON			DRAWN	
APPLICATION		DO NOT SCALE DRAWING		CHECKED	
				ENG APPR.	
				MFG APPR.	
				Q.A.	
				COMMENTS:	

**KENDALL HOWARD**

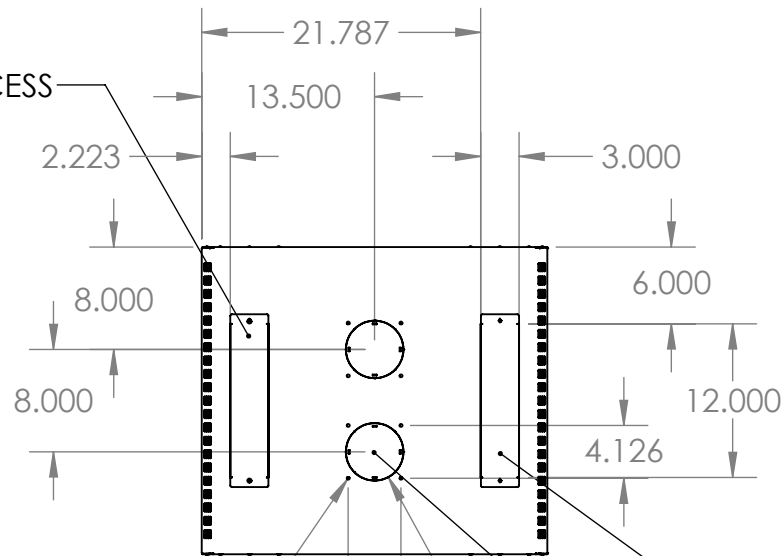
TITLE:  
**37U LINIER AV OPEN FRAME**

SIZE	DWG. NO.	REV
<b>A</b>	<b>3170-3-024-37 WP</b>	
SCALE: 1:20	WEIGHT: 73.34	SHEET 1 OF 2



VIEW A-A  
SCALE 1 : 15  
BOTTOM VIEW

CABLE ACCESS



VIEW B-B  
SCALE 1 : 15  
TOP VIEW

CABLE ACCESS

FAN KNOCKOUT

Ø 4.500

Ø .227

4.126

UNLESS OTHERWISE SPECIFIED:  
DIMENSIONS ARE IN INCHES  
TOLERANCES:  
FRACTIONAL ± 1/8  
ANGULAR: BEND ± 1 DEGREE  
TWO PLACE DECIMAL ± .03  
THREE PLACE DECIMAL ± .01

Surface Area

MATERIAL

FINISH

DO NOT SCALE DRAWING

**WEB PRINT**

NEXT ASSY

USED ON

APPLICATION

	NAME	DATE
DRAWN		
CHECKED		
ENG APPR.		
MFG APPR.		
Q.A.		
COMMENTS:		

**KENDALL HOWARD**

TITLE:  
**37U LINIER AV OPEN  
FRAME**

SIZE DWG. NO. REV  
**A** 3170-3-024-37 WP

SCALE: 1:20 WEIGHT: 73.34 SHEET 2 OF 2

**PROPRIETARY AND CONFIDENTIAL**  
THE INFORMATION CONTAINED IN THIS  
DRAWING IS THE SOLE PROPERTY OF  
KENDALL HOWARD. ANY REPRODUCTION  
IN PART OR AS A WHOLE WITHOUT THE  
WRITTEN PERMISSION OF KENDALL HOWARD  
IS STRICTLY PROHIBITED.