

KENDALL HOWARD ®

Assembly Instructions **Performance Accessory Bar**

Part Numbers:

**5200-3-500-24, 5200-3-500-48,
5200-3-500-72, 5200-3-500-96**



Address: 10152 Liberty Lane
Chisago City, Minnesota, 55013
United States of America
Phone: 651-213-1333
Fax: 800-418-6897

www.kendallhoward.com

Tools Needed:



7/32" Hex Wrench

What's Included:



QTY 1: Accessory Bar

QTY 2: Mounting Brackets

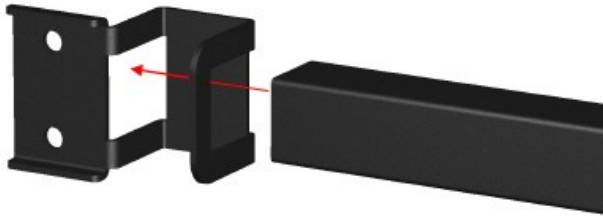


QTY 4: Bolt 3/8-16" x 1.5"



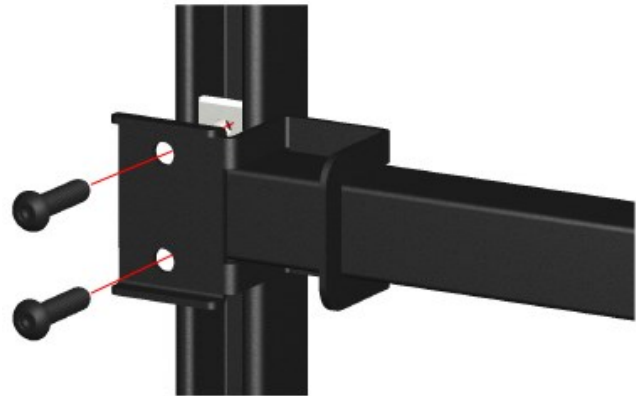
QTY 4: Channel Nuts (3/8")

Step 1:



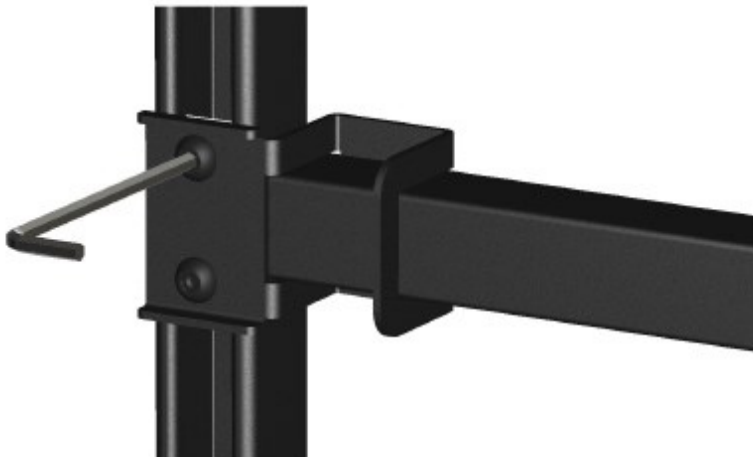
Slide both mounting brackets on both ends of the Accessory Bar.

Step 2:



Place channel nuts behind inside flanges of uprights. Install bolts through mounting bracket into channel nuts.

Step 3:



Adjust height of both brackets until the Accessory Bar is level. Use hex wrench to secure bolts.

For details about product warranty, please visit www.kendallhoward.com

DISCLAIMER: Kendall Howard LLC. endeavors to make this manual accurate and complete. However, Kendall Howard LLC makes no representations or warranties of any kind, expressed or implied, about whether the use of products contained herein would infringe any rights or the correctness, accuracy or reliability of the information contained herein or that said information covers all details, conditions or variations. The information herein does not provide for every possible contingency in connection with the installation or use of the product(s). The information contained in this document is subject to change without notice or obligation. Kendall Howard LLC assumes no responsibility for the accuracy, completeness or reliability of the information contained in this document. Any reliance placed on the information is therefore strictly at your own risk.