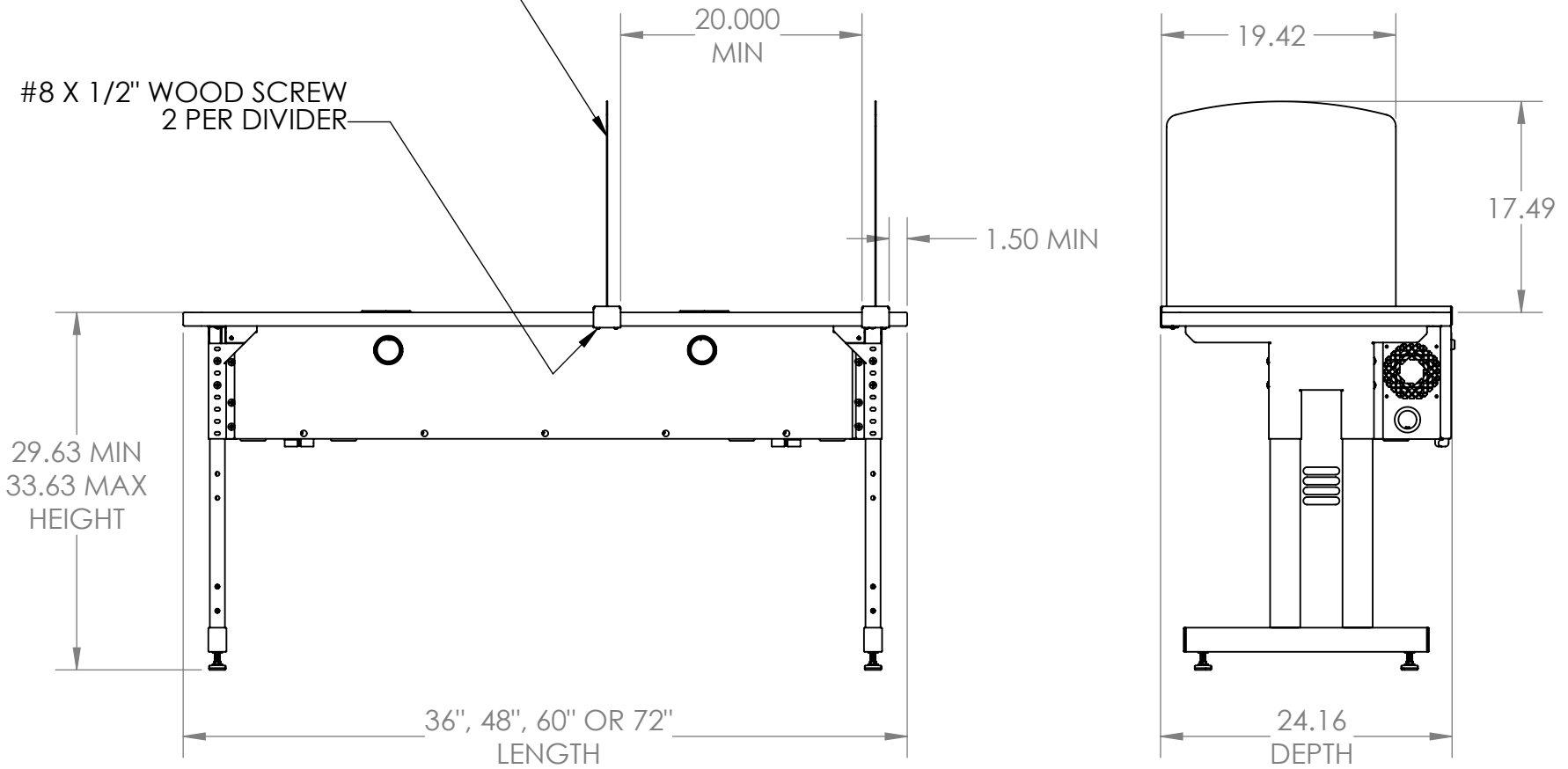


24" DIVIDER
16 GA CRS
TEXTURED POWDR COAT, BLACK

#8 X 1/2" WOOD SCREW
2 PER DIVIDER



PROPRIETARY AND CONFIDENTIAL
THE INFORMATION CONTAINED IN THIS DRAWING IS THE SOLE PROPERTY OF KENDALL HOWARD. ANY REPRODUCTION IN PART OR AS A WHOLE WITHOUT THE WRITTEN PERMISSION OF KENDALL HOWARD IS STRICTLY PROHIBITED.

WEB PRINT	
NEXT ASSY	USED ON

CATEGORY: TECHNICAL FURNITURE

UNLESS OTHERWISE SPECIFIED:
DIMENSIONS ARE IN INCHES
TOLERANCES:
FRACTIONAL: NA
ANGULAR: BEND: NA
TWO PLACE DECIMAL: NA
THREE PLACE DECIMAL: NA
HOLES: NA

SURFACE AREA
MATERIAL
FINISH

DO NOT SCALE DRAWING

	NAME	DATE
DRAWN	BS	09272018
CHECKED		
ENG APPR.		
MFG APPR.		
Q.A.		
COMMENTS:		

KENDALL HOWARD

TITLE:
**WEB PRINT- 24 INCH
TRAINING TABLE DIVIDERS**

SIZE	DWG. NO.	REV
A	5500-3-100-05 WP	A

SCALE: 1:16 WEIGHT: NA SHEET 1 OF 1