

KENDALL HOWARD ®

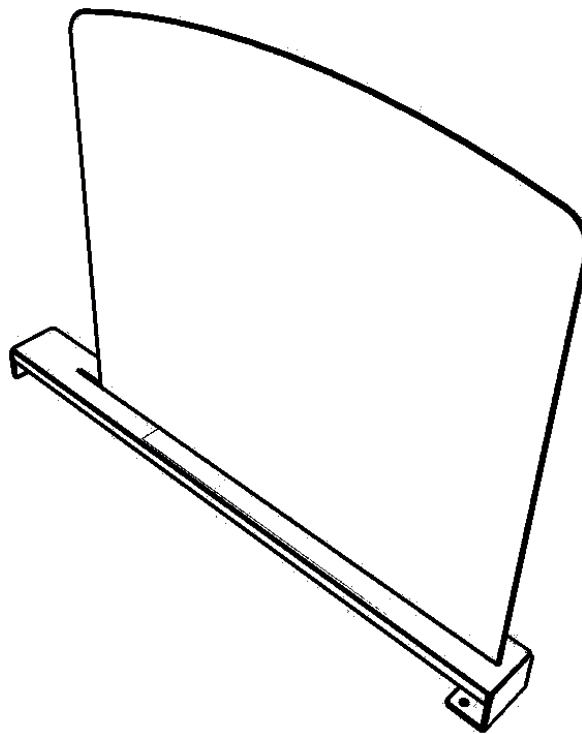
Installation Instructions

Training Table Divider

Part Numbers:

5500-3-100-05 24" Divider

5500-3-100-06 30" Divider

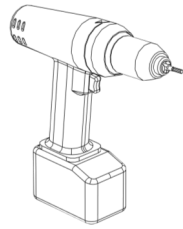
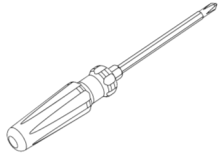


Address: 10152 Liberty Lane
Chisago City, Minnesota, 55013
United States of America

Phone: 651-213-1333

www.kendallhoward.com

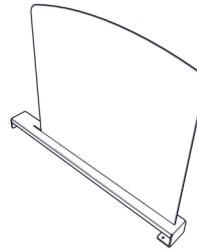
Tools needed:



Screwdriver or Drill

What's in the box?

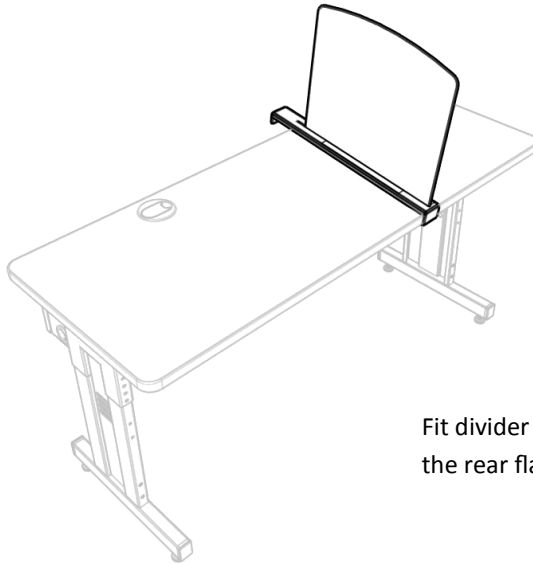
Qty 1 - Divider



Qty 2 - Screws

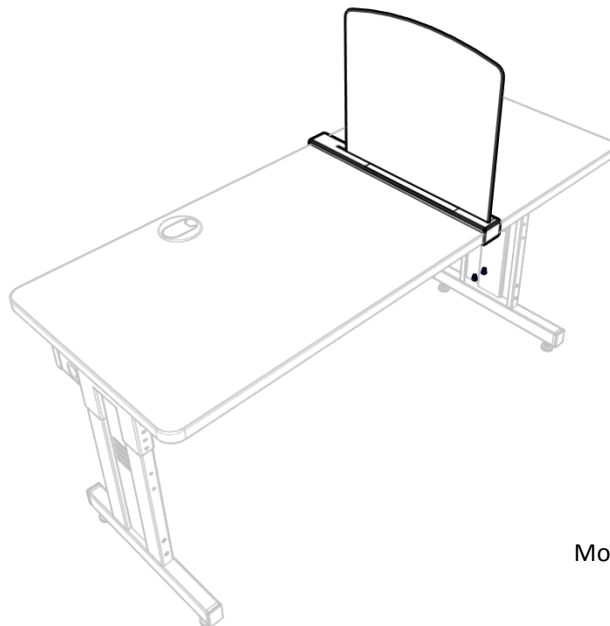


Step 1:



Fit divider around the front lip of the training table before sliding the rear flange over the back edge of the table.

Step 2:



Mount using screws to secure (if desired).

For details about product warranty, please visit www.kendallhoward.com

DISCLAIMER: Kendall Howard LLC endeavors to make this manual accurate and complete. However, Kendall Howard LLC makes no representations or warranties of any kind, expressed or implied, about whether the use of products contained herein would infringe any rights or the correctness, accuracy or reliability of the information contained herein or that said information covers all details, conditions or variations. The information herein does not provide for every possible contingency in connection with the installation or use of the product(s). The information contained in this document is subject to change without notice or obligation. Kendall Howard LLC assumes no responsibility for the accuracy, completeness or reliability of the information contained in this document. Any reliance placed on the information is therefore strictly at your own risk.