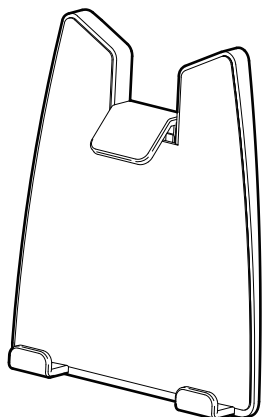


# Installation Instructions

## Universal Tablet Holder

### Component Checklist

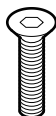


Universal Tablet Mount

### Hardware



2.5mm Allen Key



M4x15 Screw (x4)

### IMPORTANT INFORMATION

#### ! IMPORTANT - Install as per Installation Instructions

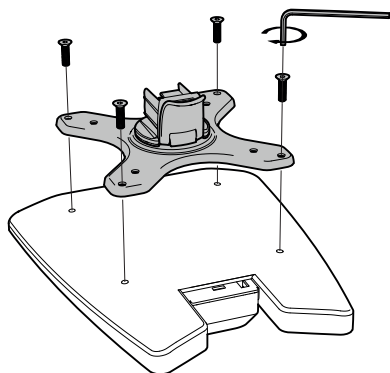
- ! This product is used to mount tablet devices only.
- ! This product is compatible with Atdec's Systema, Visidec and Spacedec range of monitor mounts. Also compatible with 100x100 VESA mounting plates.
- ! The maximum thickness of the supported tablet is 15mm (0.6").
- ! The minimum width of the supported tablet is 140mm (5.5").
- ! The maximum height of the supported tablet is 255mm (10").
- ! Ensure your tablet is mounted centrally on the Universal Tablet Holder for optimum stability.
- ! Ensure holder tabs do not interfere with buttons on your tablet.
- ! The manufacturer accepts no responsibility for incorrect installation.

### Step 1. Check components

Check that you have received all parts against the Component Checklist.

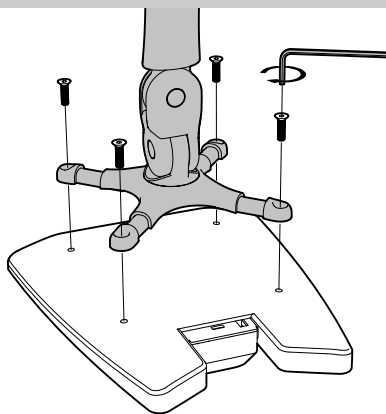
### Step 2. Attach tablet holder to VESA mount

#### Systema



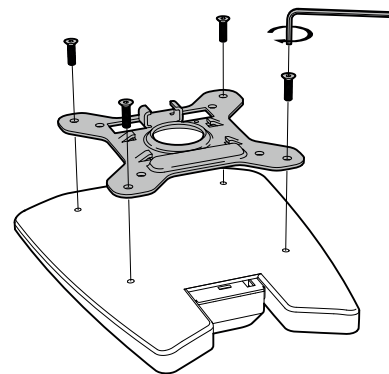
OR

#### Visidec Focus



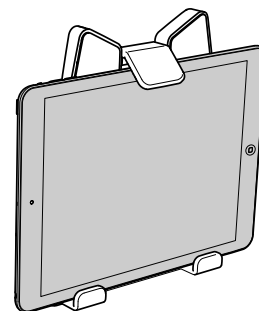
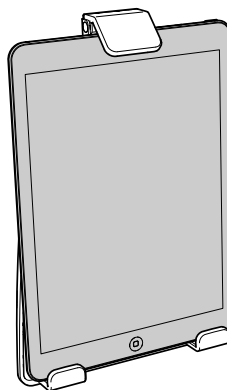
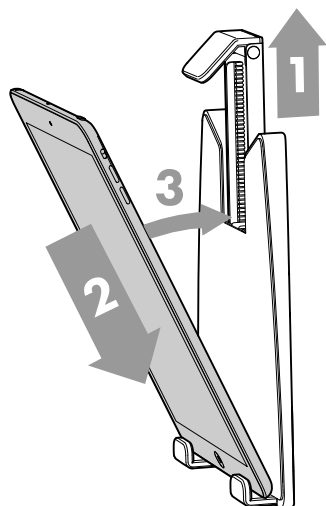
OR

#### Spacedec/Telehook



### Step 3. Attach tablet to tablet holder

1. Pull the top tab up
2. Position bottom edge of tablet into lower tabs
3. Push tablet flat against the back of the mount. Allow the top tab to retract over the edge of the tablet.



Tablet can be mounted in **Landscape** or **Portrait** orientations.