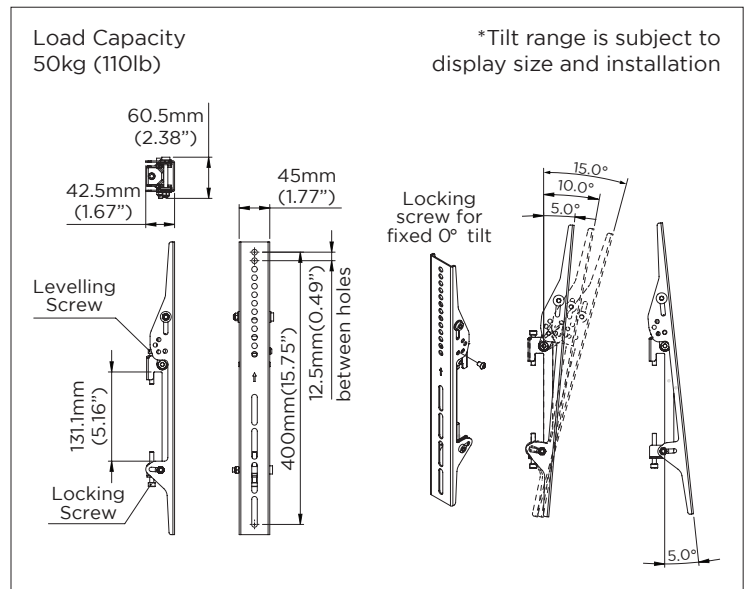


VESA 400 Tilt Brackets

COMPONENT CHECKLIST

Item	Name	QTY
A1	M5 x 15mm Screw	4
A2	M6 x 15mm Screw	4
A3	M8 x 15mm Screw	4
A4	M6 Washer	4
B	Tilt Bracket - Right	1
C	Tilt Bracket - Left	1

PRODUCT DIMENSIONS



INSTALLATION INSTRUCTIONS

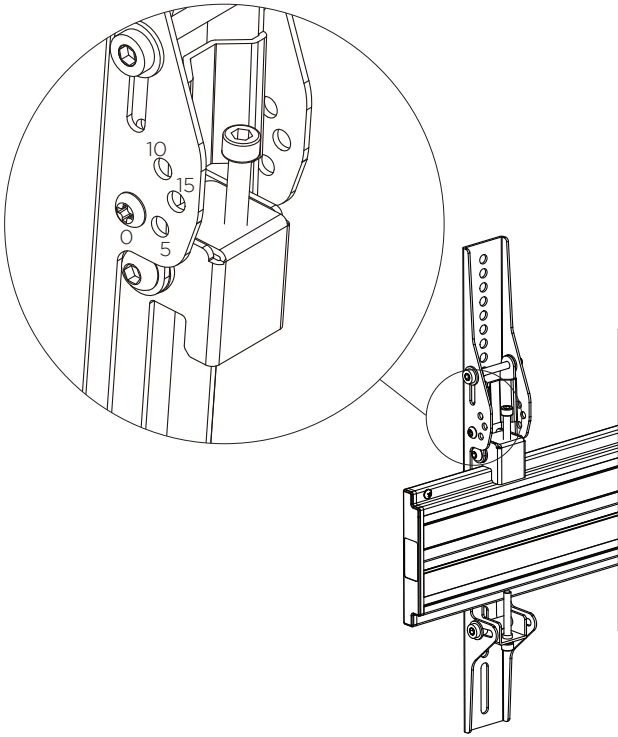
1. Attach brackets to display

A1
A2
A3
A4

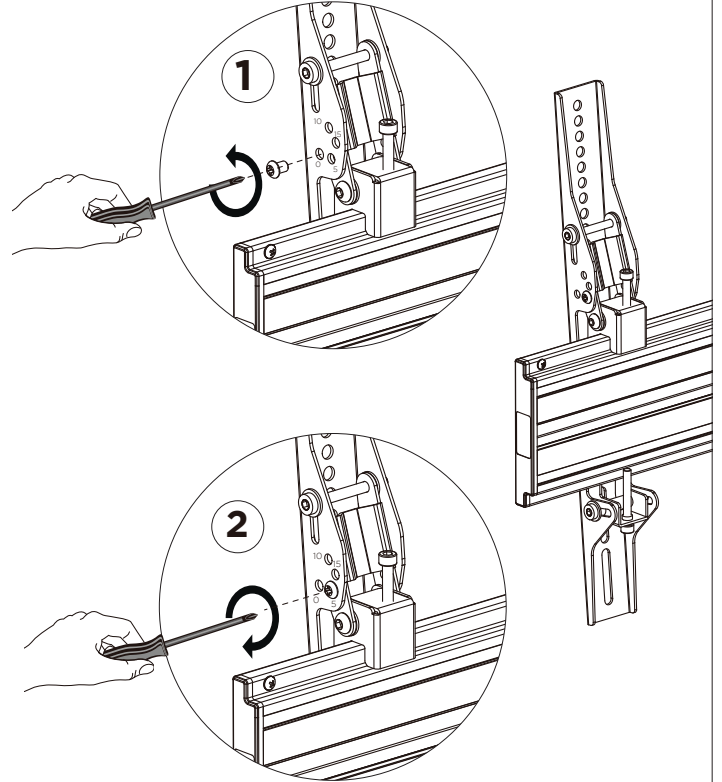
2. Mount display on rail

Height adjust
5mm
Locking screw

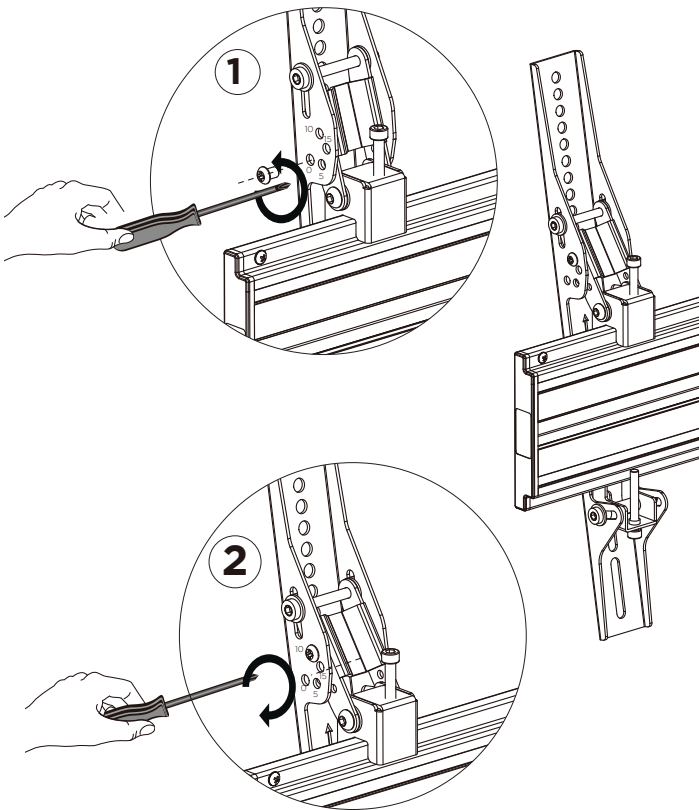
Tilt 0°



Tilt 5°



Tilt 10°



Tilt 15°

