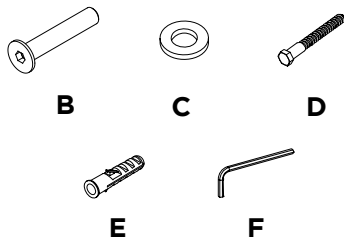
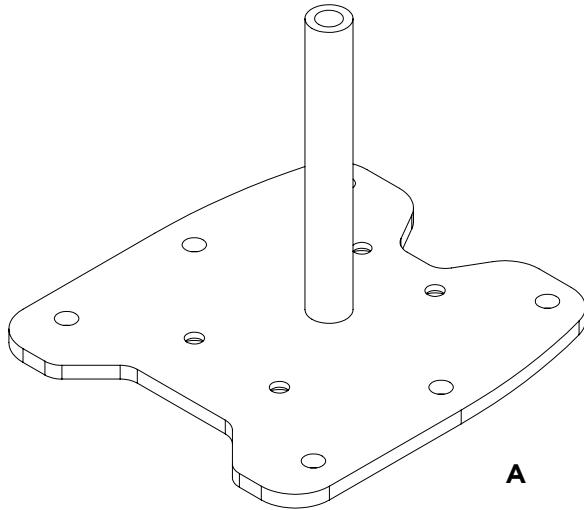


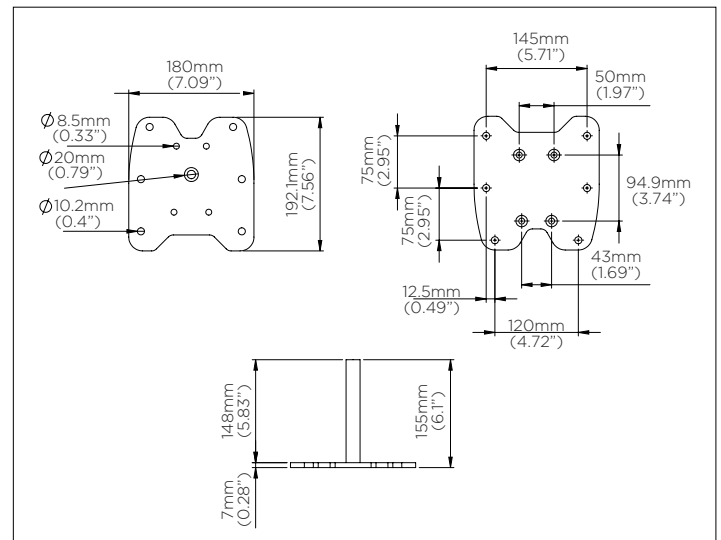
Floor Plate



COMPONENT CHECKLIST

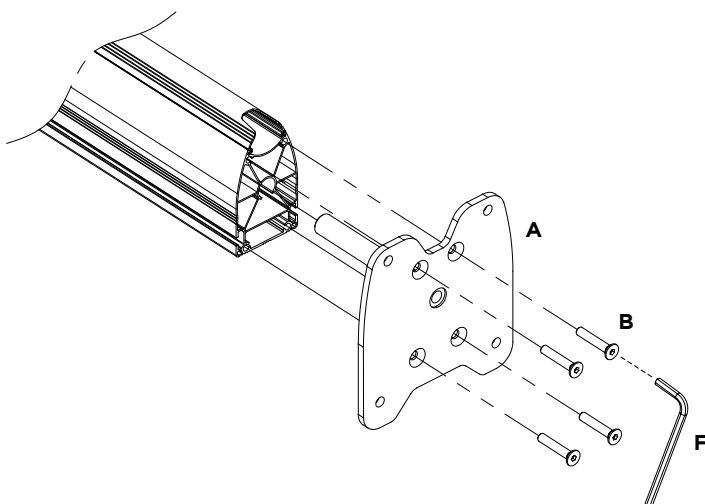
Item	Name	QTY
A	Floor Plate	1
B	M8 x 45mm Countersunk Screw	4
C	M8 Washer	6
D	Coach Screw	6
E	Plastic Anchor	6
F	5mm Hex Key	1

PRODUCT DIMENSIONS



INSTALLATION INSTRUCTION

1. Mount post to floor plate



2. Fix to floor

a. Brick or concrete floor

b. Wood floor

