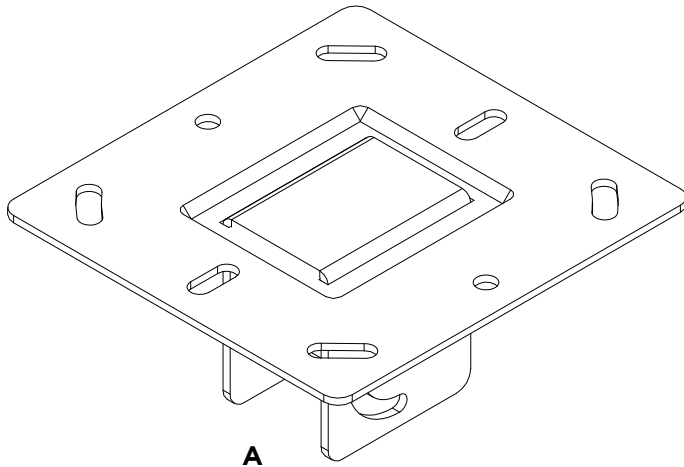
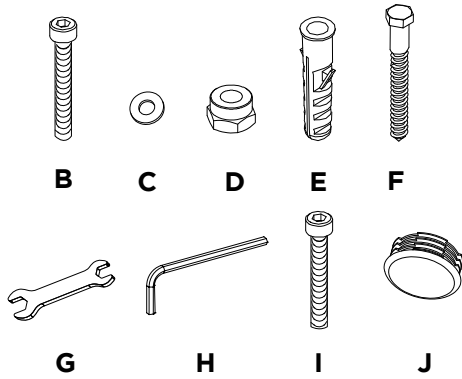


HD Pole Ceiling Fixture



A



B

C

D

E

F

G

H

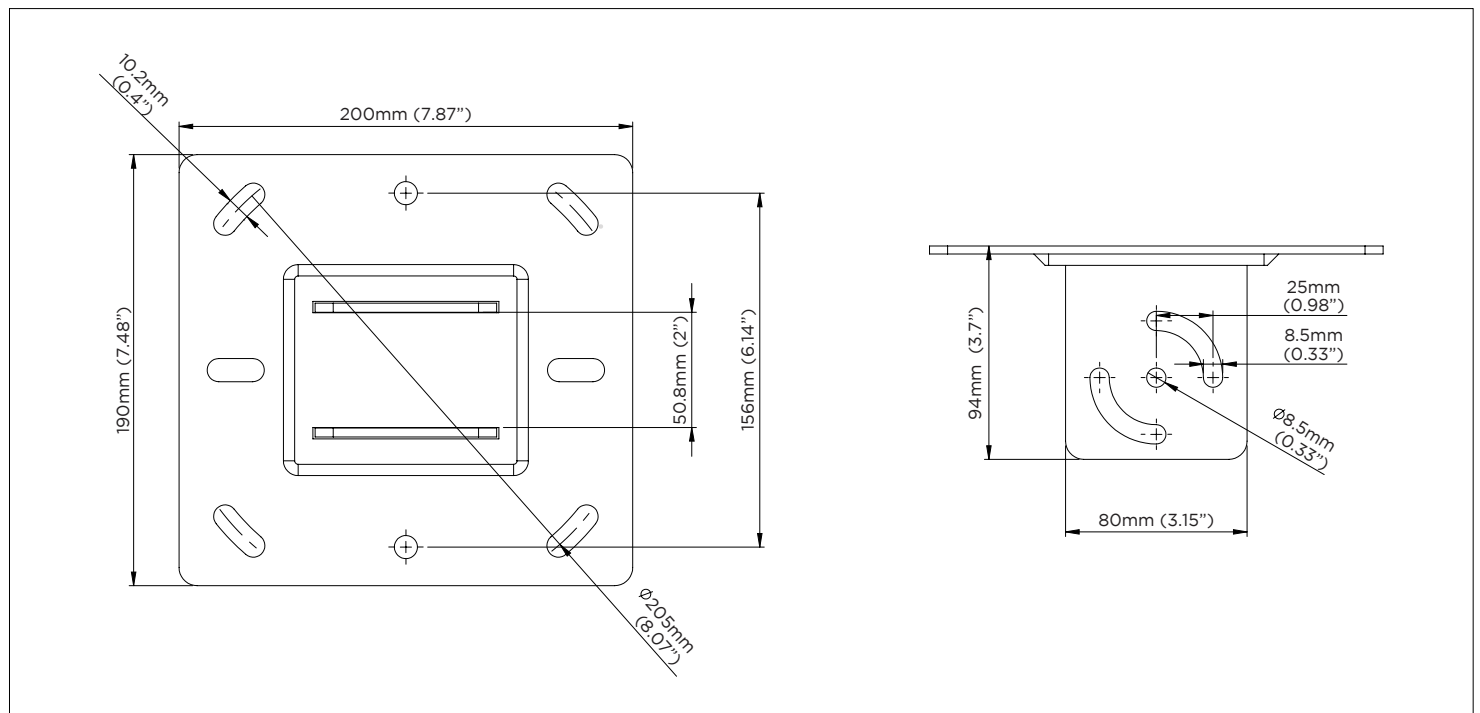
I

J

COMPONENT CHECKLIST

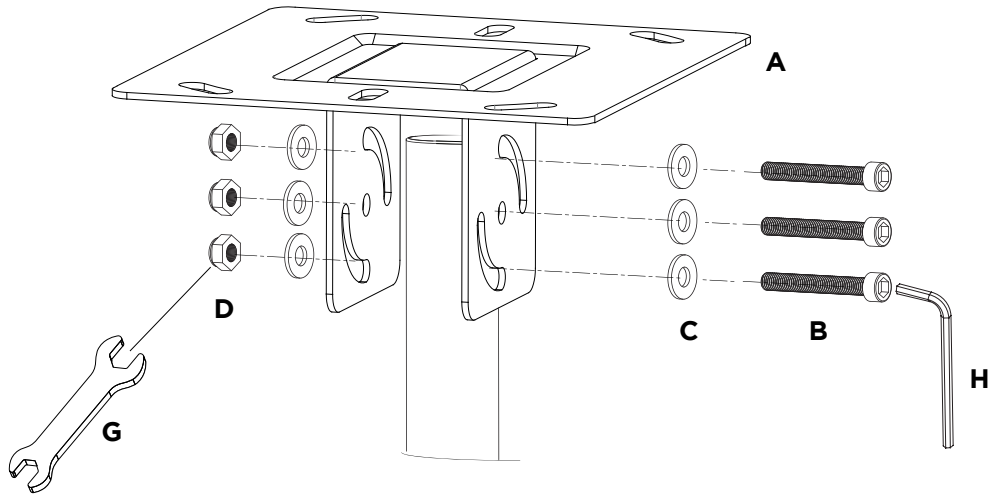
Item	Name	QTY
A	Heavy Duty Ceiling Plate	1
B	M8 x 70mm Screw	3
C	M8 Washer	12
D	M8 Nut	4
E	Plastic Anchor	6
F	Coach Screw	6
G	Open Wrench	1
H	6mm Hex Key	1
I	M8 x 60mm Screw	1
J	End Cap	1

PRODUCT DIMENSION



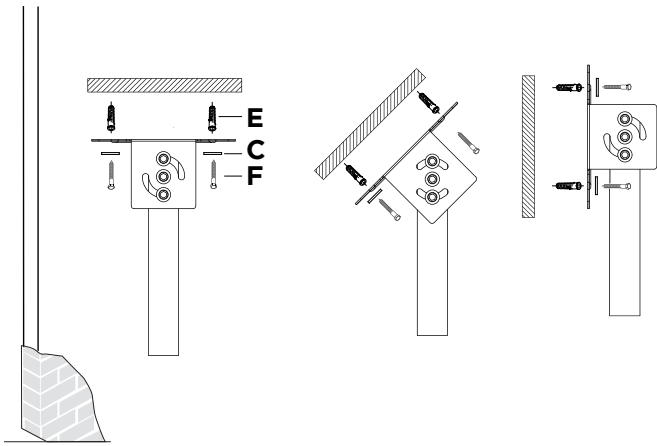
INSTALLATION INSTRUCTION

1. Attach pole to ceiling mount

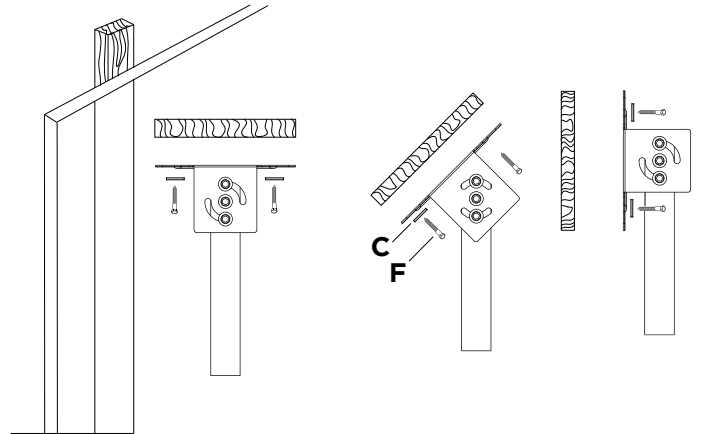


2. Fix plate to ceiling

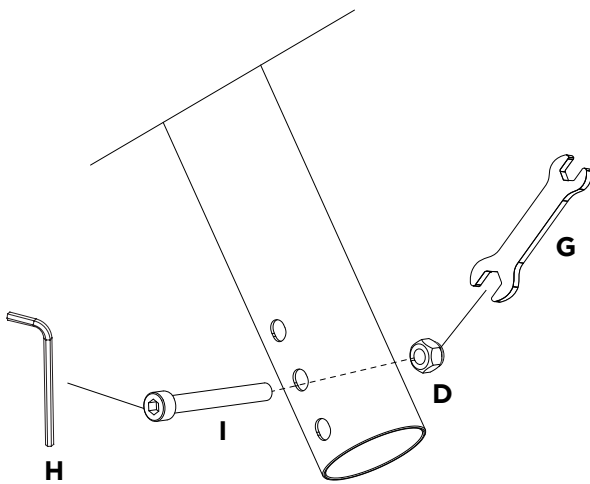
a. Brick or concrete



b. Wood



3.



4.

