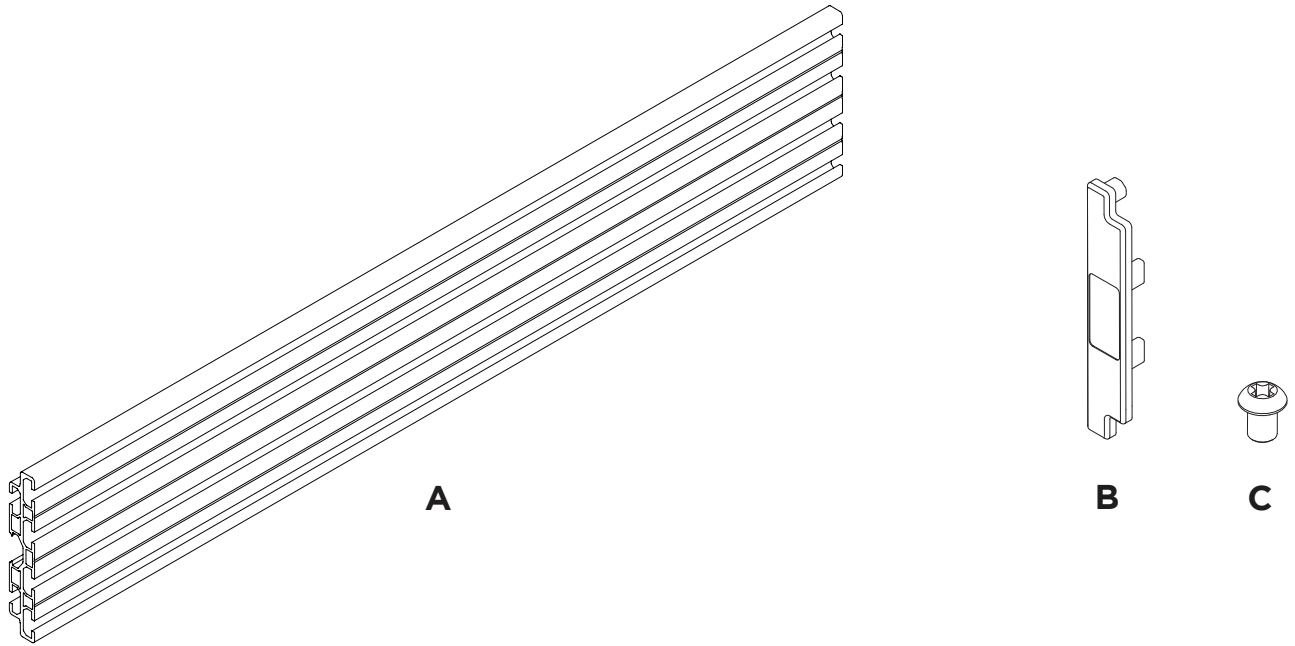


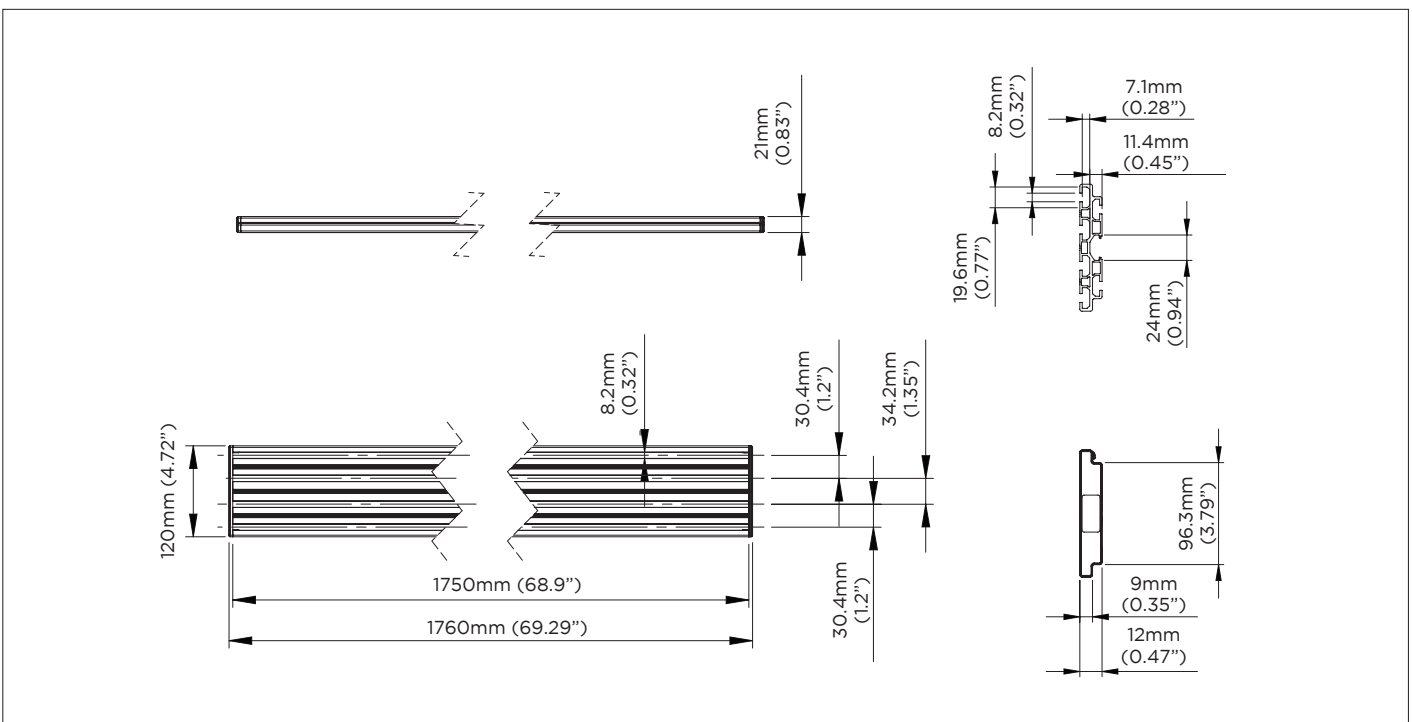
175 Rail



COMPONENT CHECKLIST

Item	Name	QTY
A	Rail, 1750mm (68.90")	1
B	End Cap	2
C	M5 x 8mm Screw	2

PRODUCT DIMENSIONS



INSTALLATION INSTRUCTION

