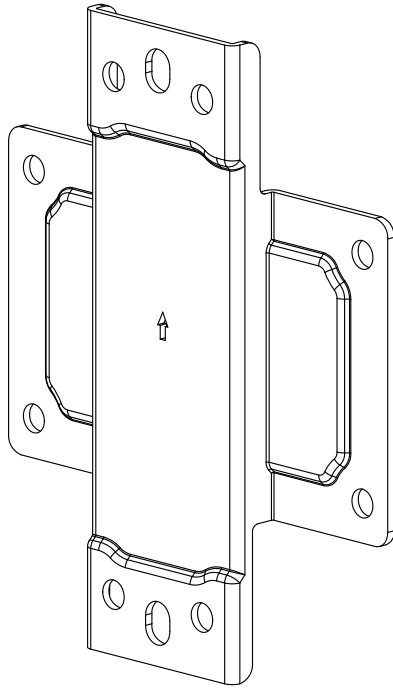


ADB Rail Pole Plate

COMPONENT CHECKLIST

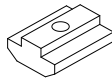
Item	Name	QTY
A	Rail Pole Plate	1
B	M8 x 10mm Screw	4
C	M8 T-Nut	4
D	M8 x 15mm Screw	4



A



B

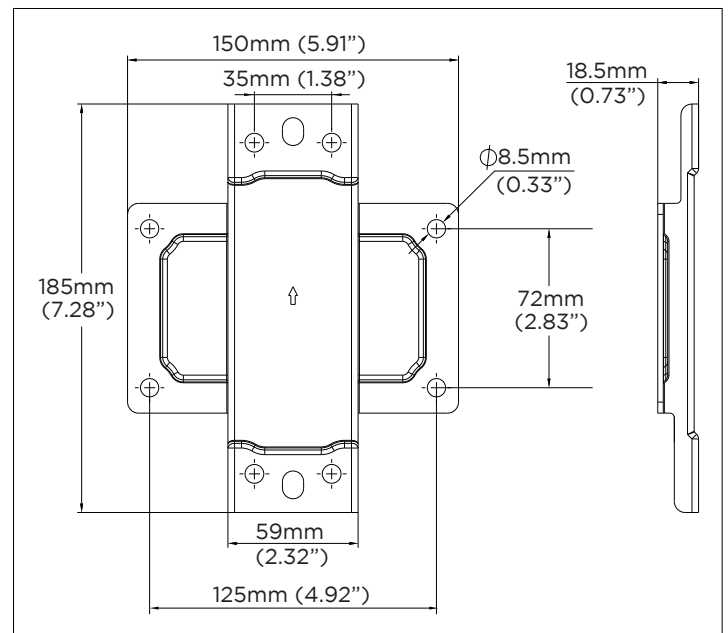


C



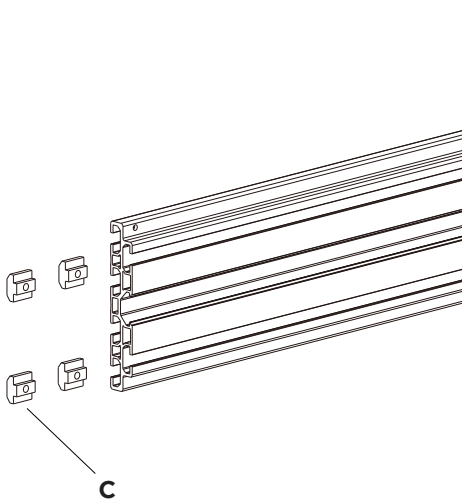
D

PRODUCT DIMENSIONS

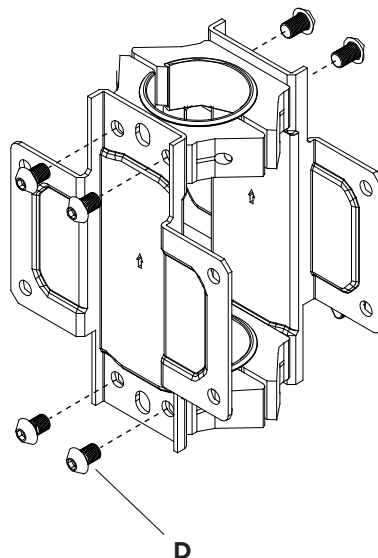


INSTALLATION INSTRUCTIONS

1. Insert T-Nuts



2. Secure plate to rail pole joiner (sold separately)



3. Attach assembly to rail

