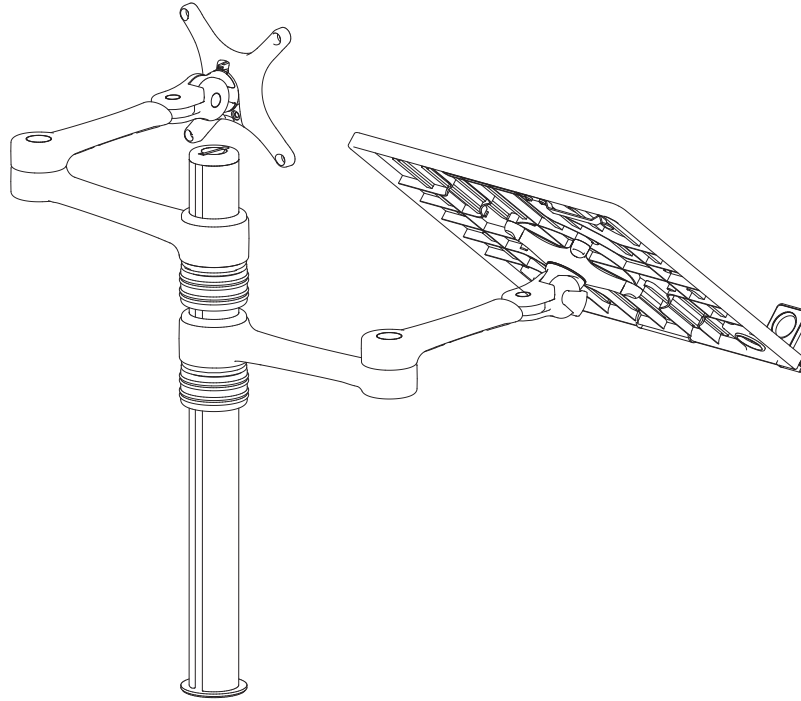
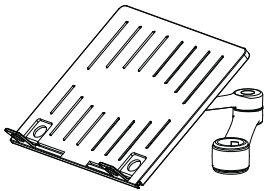


Notebook Monitor Arm Combo Mount



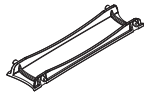
COMPONENT CHECKLIST



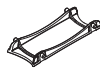
A
Notebook tray
assembly
(x1)



D
Rotation
limiter
(x1)



E
Primary arm
cable cover
(x1)



F
Secondary arm
cable cover
(x1)



G
Desk clamp
assembly
(x1)



H
Steel washer
(x1)



I
Cable stop
(x2)



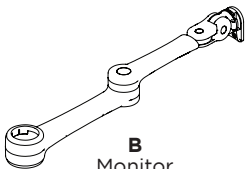
J
Cable clip
(x1)



K
Pole top cap
(x1)



L
Bolt through
base
(x1)



B
Monitor
arm
(x1)



M
5mm
Allen key
(x1)



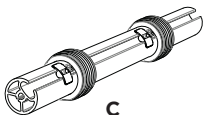
N
Self adhesive
hook & loop
(x4 sets)



O
Screw
M8 x 60mm
(x1)



P
Screw
M8 x 30mm
(x1)



C
Pole
assembly
(x1)



Q
Security
Screw
M4 x 16mm
(x1)



R
Mounting
screws
M4 x 10mm
(x4)



S
Mounting
screws
M4 x 12mm
(x4)



T
Mounting
screws
M4 x 16mm
(x4)



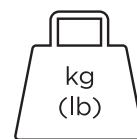
U
VESA
head
(x1)

Desk 

REQUIRED TOOLS

- Power Drill
- Drill Bit
- Phillips Head Screwdriver

WEIGHT RANGE



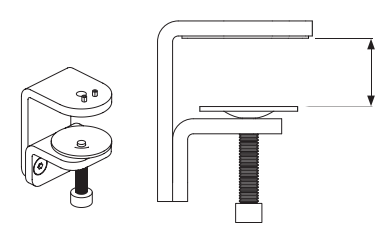
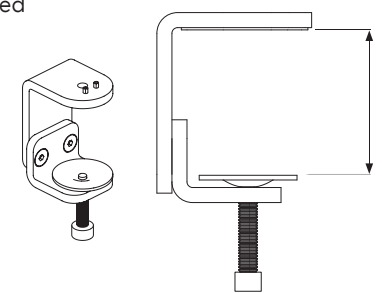
kg
(lb)

0 - 8kg
(0 - 17.6lbs)

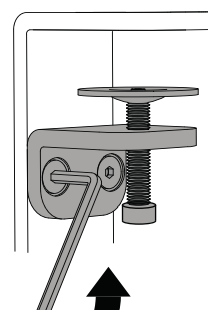
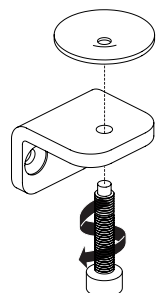
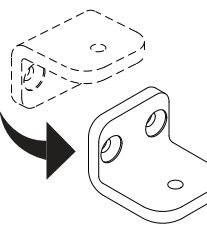
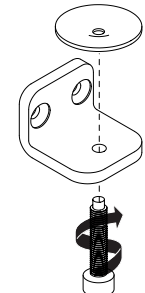
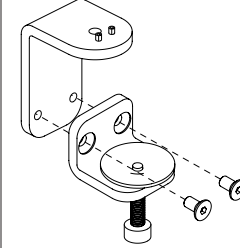
IMPORTANT INFORMATION

- ! Please ensure this product is installed as per these installation instructions.
- ! The manufacturer accepts no responsibility for incorrect installation.

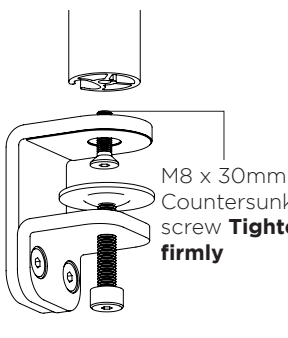
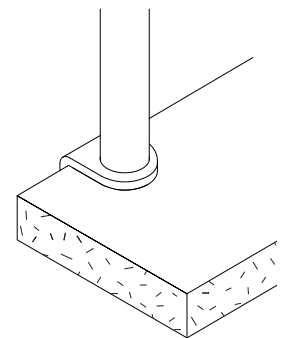
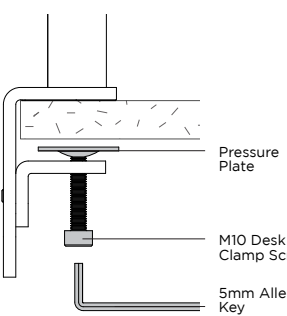
1. Desk overview

<p>The desk clamp bracket can be repositioned to suit different mounting surface thicknesses.</p> <p>1.1 Default</p>  <p>MIN THICKNESS - 0mm (0") MAX THICKNESS - 39mm (1.5")</p>	<p>1.2 Inverted</p>  <p>MIN THICKNESS - 35mm (1.4") MAX THICKNESS - 76mm (3")</p>
---	---

2. How to reconfigure desk clamp

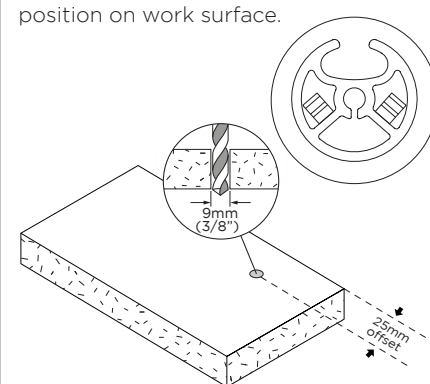
<p>2.1 Remove screws (M8 x 16mm Countersunk screw)</p> 	<p>2.2 Remove clamp plate</p> 	<p>2.3 Invert bracket</p> 	<p>2.4 Replace clamp plate</p> 	<p>2.5 Reattach bracket</p> 
--	--	--	---	--

3. Post mount configuration

<p>3.1 Attach clamp to post</p>  <p>M8 x 30mm Countersunk screw Tighten firmly</p>	<p>3.2 Place in desired location</p> 	<p>3.3 Screw pressure plates in and tighten firmly.</p>  <p>Pressure Plate M10 Desk Clamp Screw 5mm Allen Key</p>
--	---	---

4. Bolt through

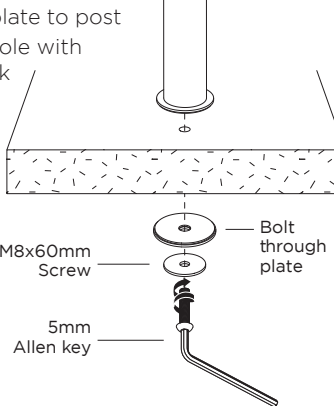
Drill 9mm hole in desired post position on work surface.



9mm (3/8")
25mm offset

5. Installing bolt through

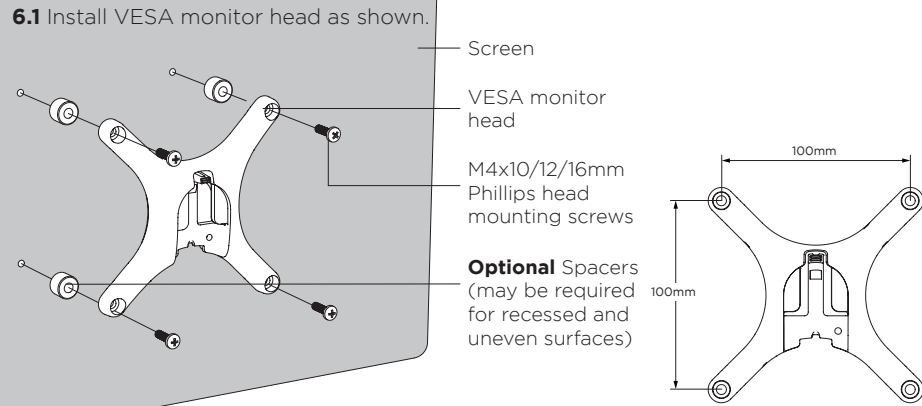
5.1 Attach plate to post
Align rear hole with hole on desk



M8x60mm Screw
Bolt through plate
5mm Allen key

6. Install VESA monitor head

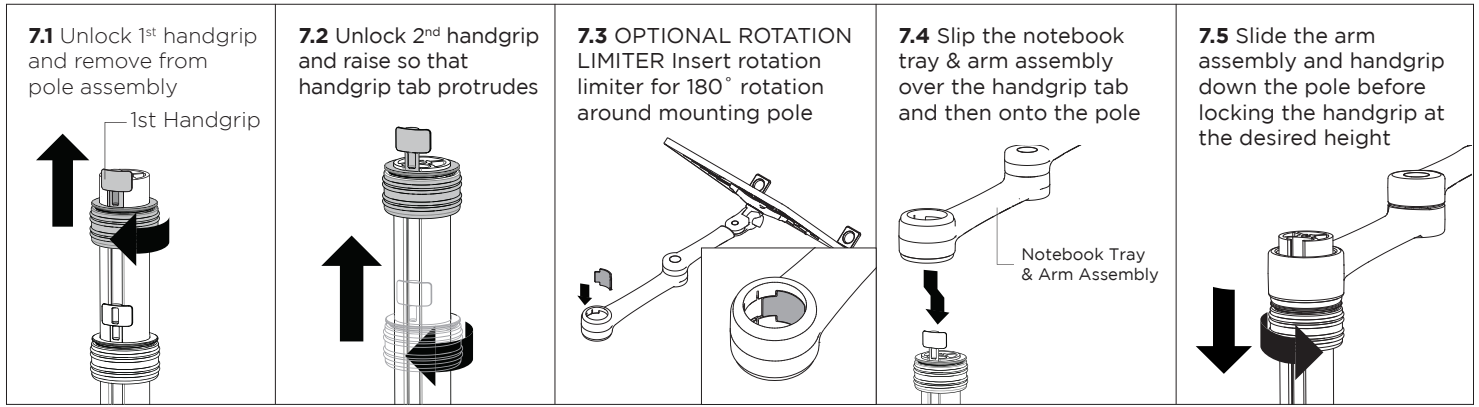
6.1 Install VESA monitor head as shown.



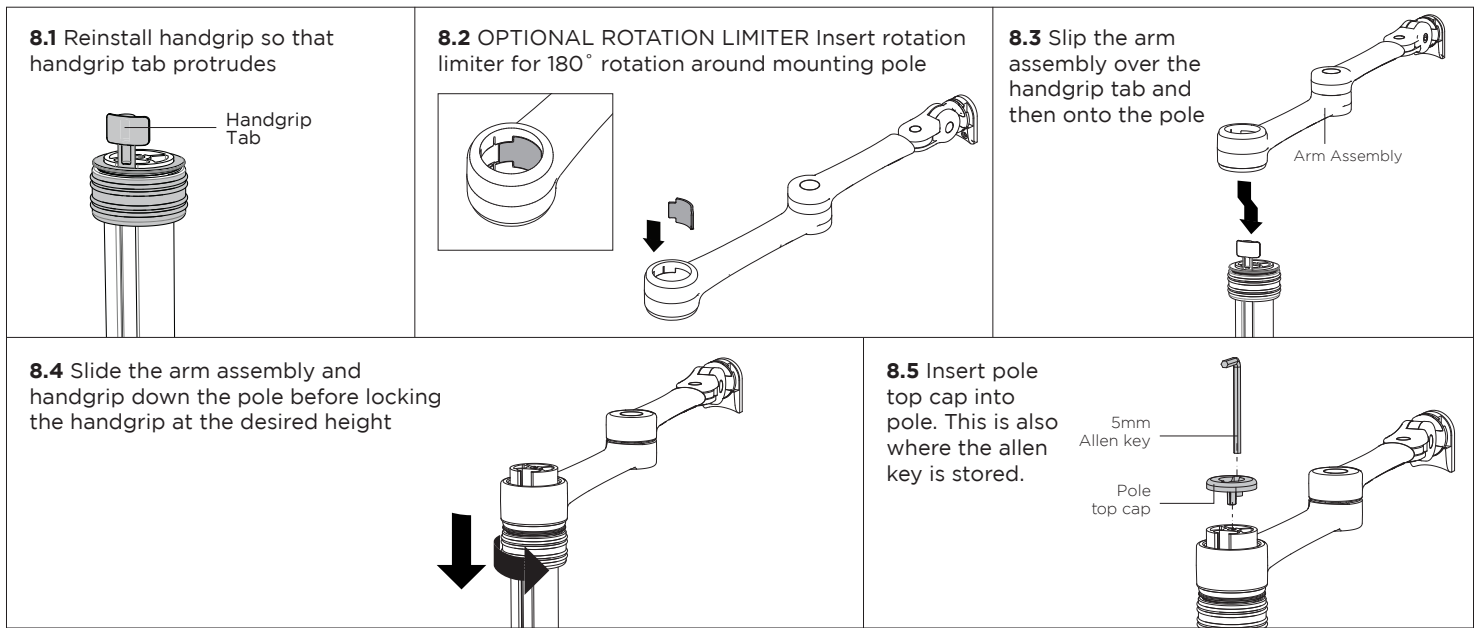
Screen
VESA monitor head
M4x10/12/16mm Phillips head mounting screws
Optional Spacers (may be required for recessed and uneven surfaces)

100mm
100mm

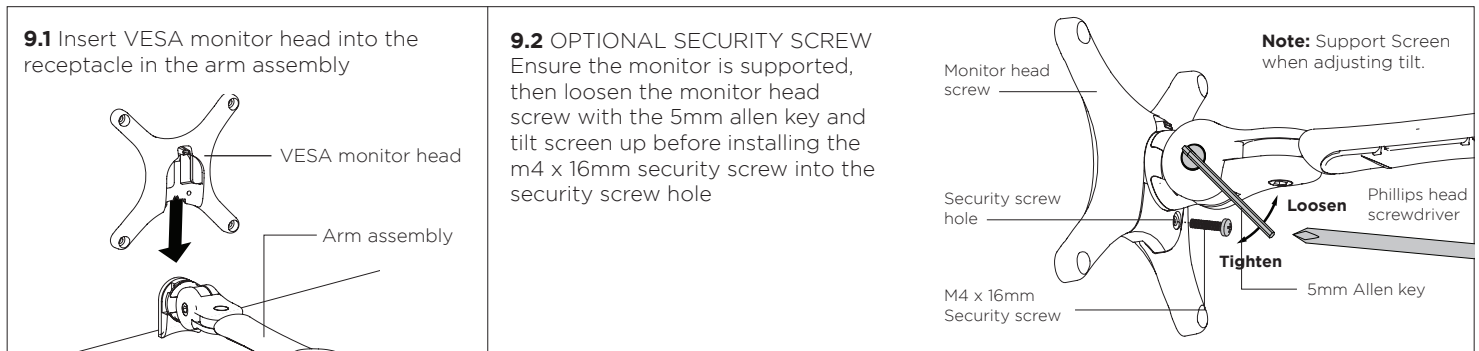
7. Mount Notebook Tray Arm



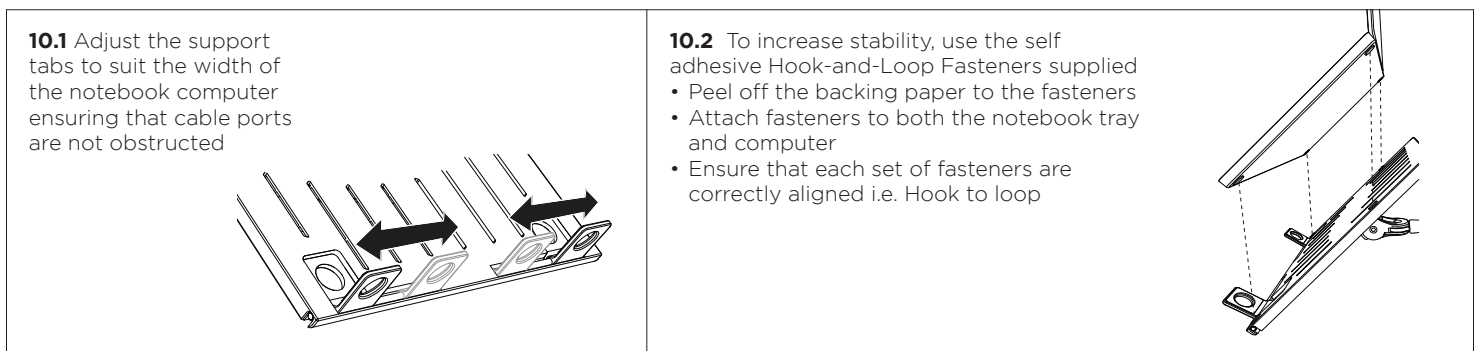
8. Install arm assembly



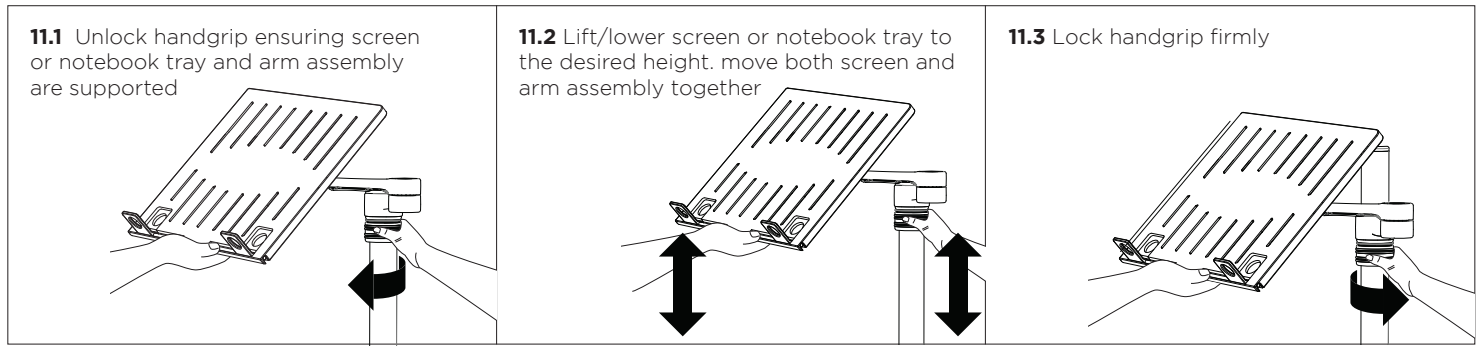
9. Mounting Monitor



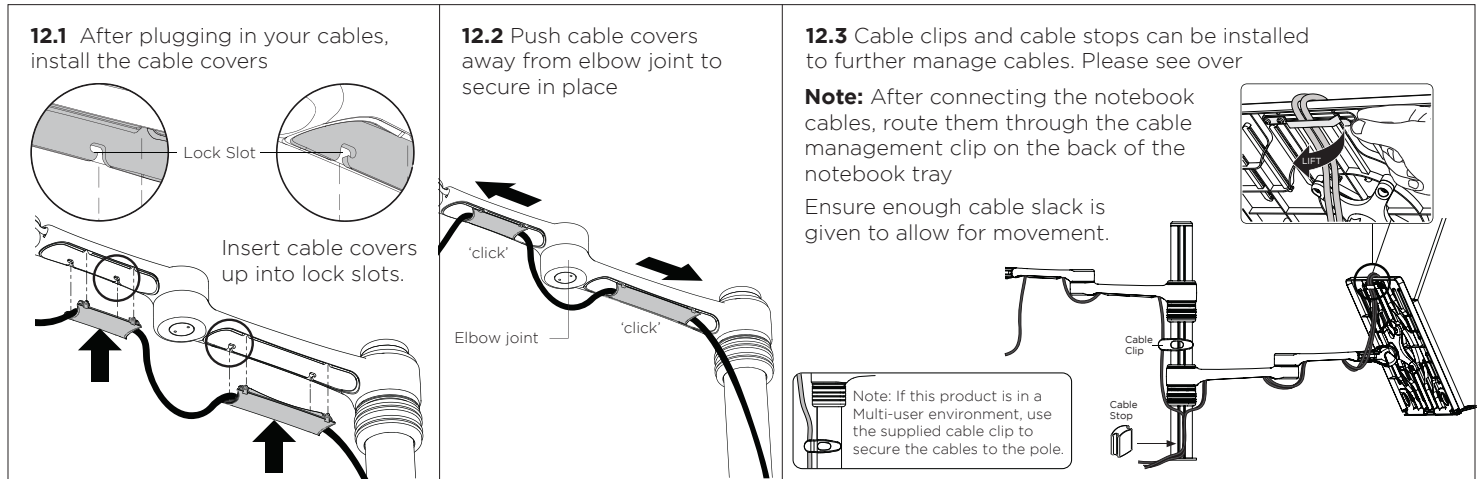
10. Install Notebook



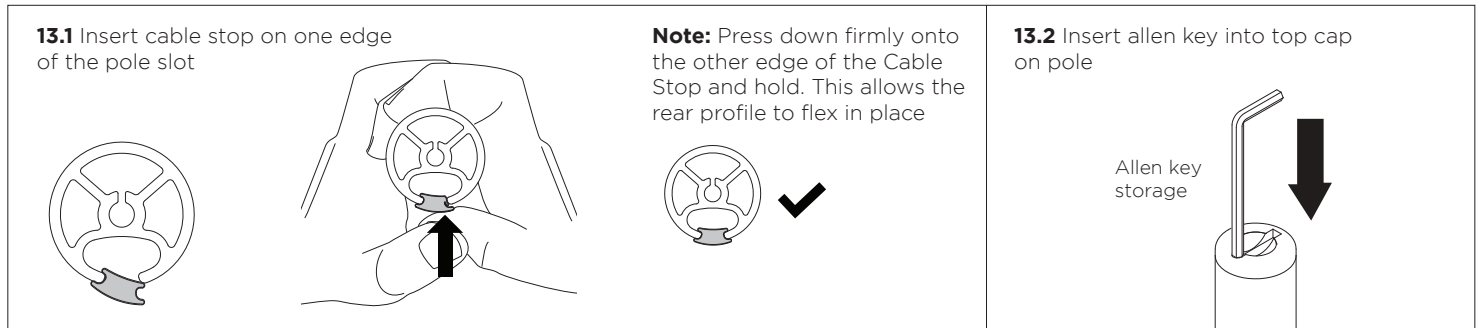
11. Adjust Height



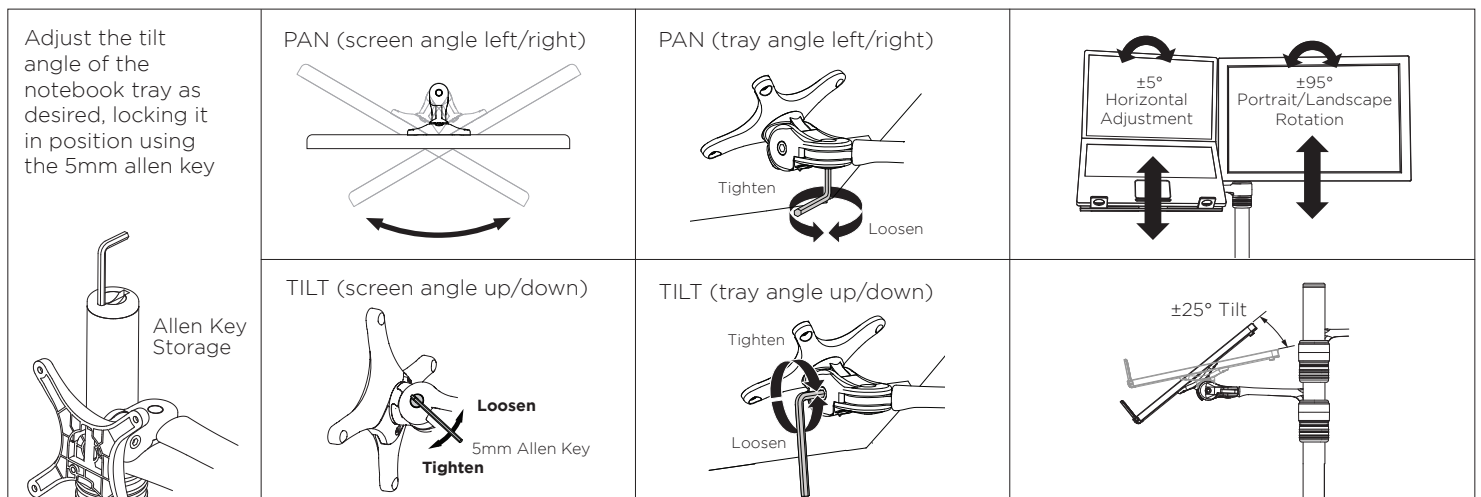
12. Cable Management



13. Insert Cable Stops



14. Adjusting the display bracket



ATDEC

No portion of this document or any artwork contained herein should be reproduced in any way without the express written consent of Atdec Pty Ltd. Due to continuing product development, the manufacturer reserves the right to alter specifications without notice. ©20180319A