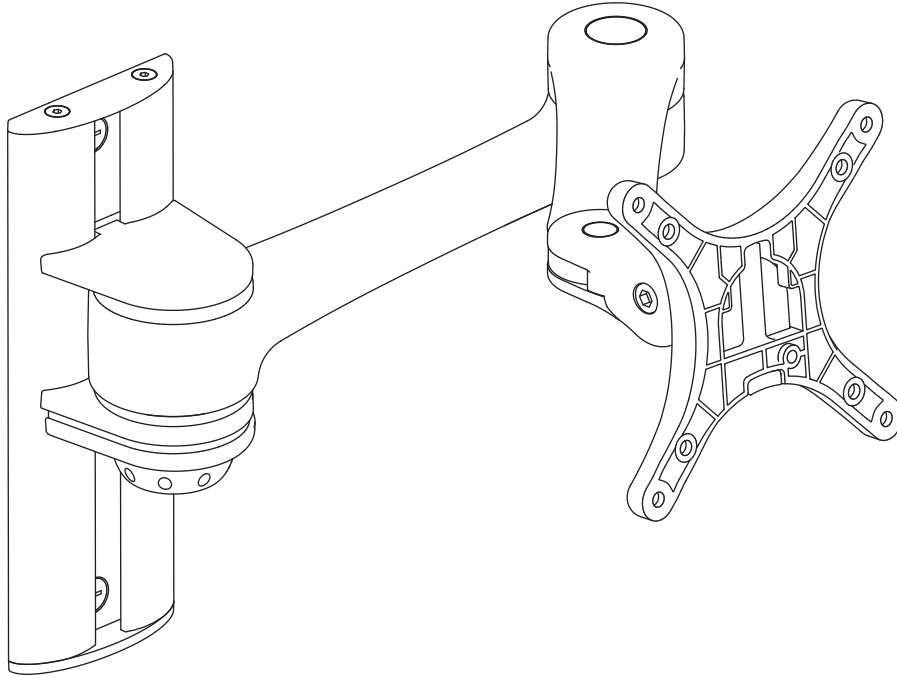
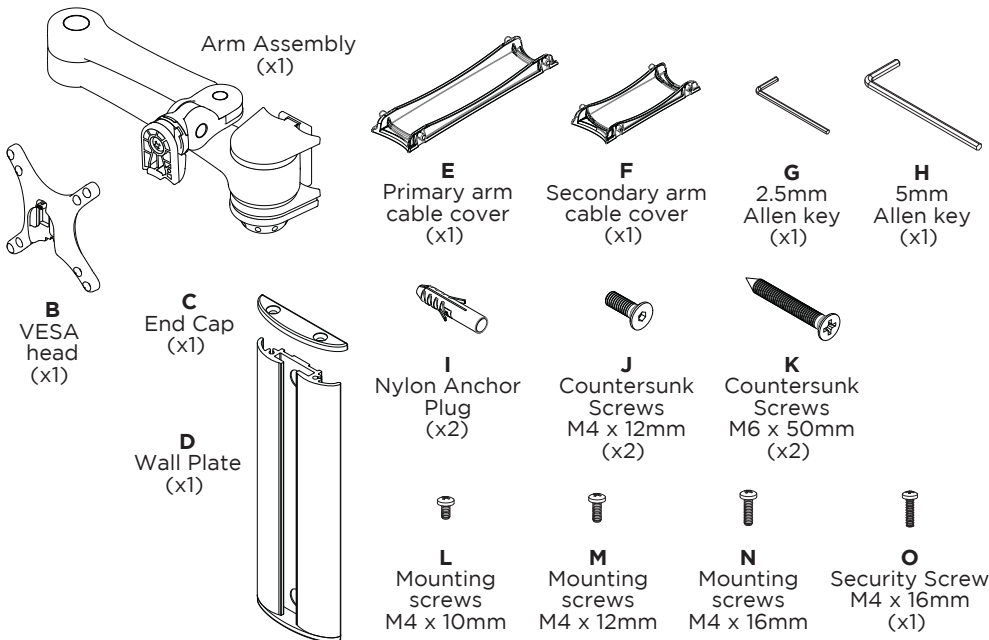


Wall Mounted Monitor Arm



COMPONENT CHECKLIST



REQUIRED TOOLS

- Phillips Head Screwdriver

WEIGHT RANGE

Flat Monitors

0 - 8kg
(0 - 17.6lbs)

Curved Monitors

0 - 5.5kg
(0 - 12lbs)

IMPORTANT INFORMATION

! Please ensure this product is installed as per these installation instructions.

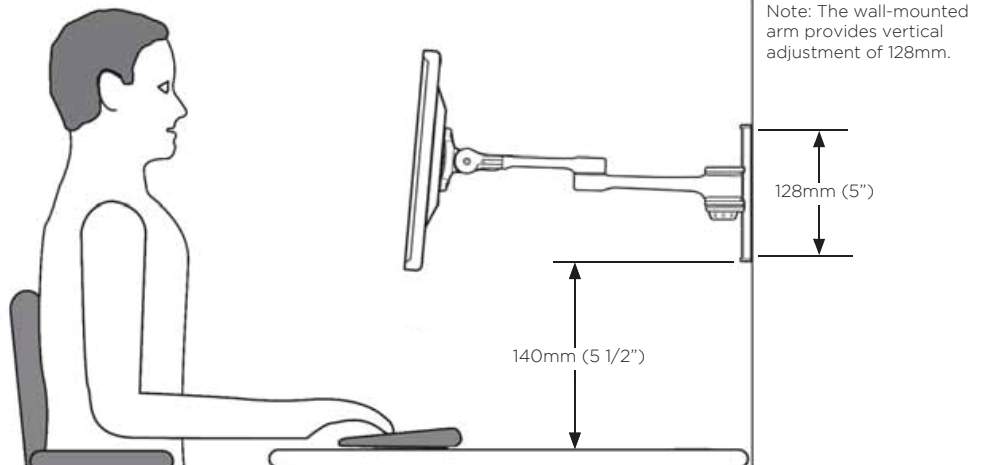
! This product is compatible with the range of AF Poles and arms.

! The manufacturer accepts no responsibility for incorrect installation.

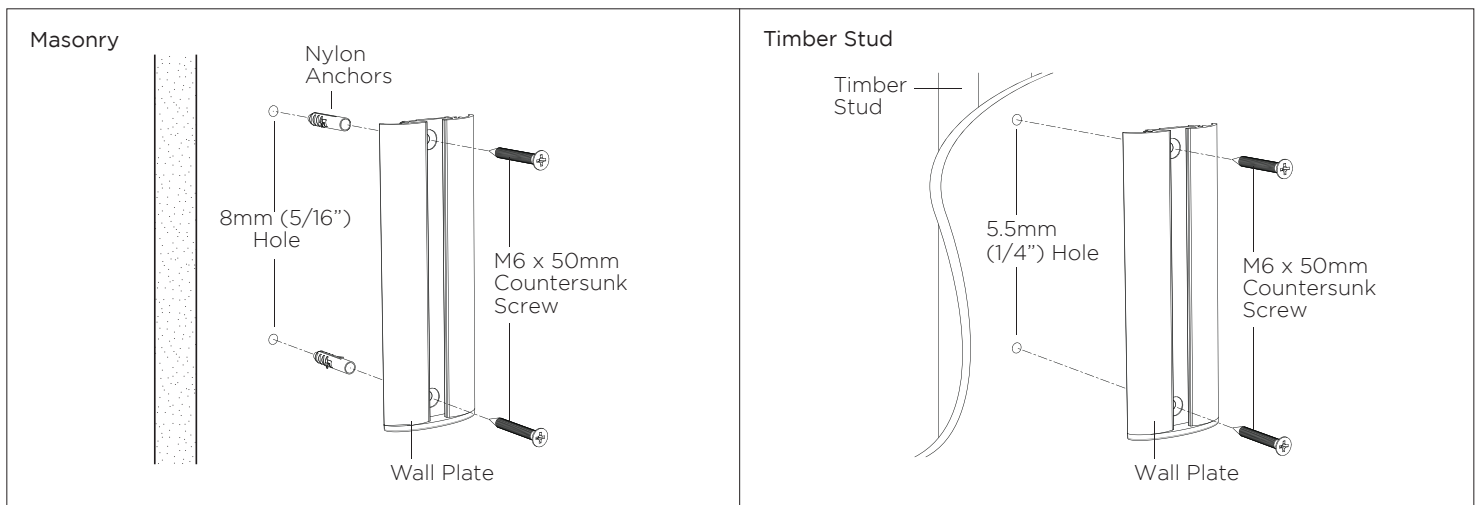
! Curved monitors, deep devices (such as all-in-one PCs) and offset VESA locations exert additional leverage that can exceed the capacity of the mount even though the monitor weight may be within the stated range. Please contact Atdec if you would like further information.

1. Position Wall Plate

As a guide, it is recommended that the bottom of the Wall Plate be positioned approximately 140mm (5 1/2") above the desktop.

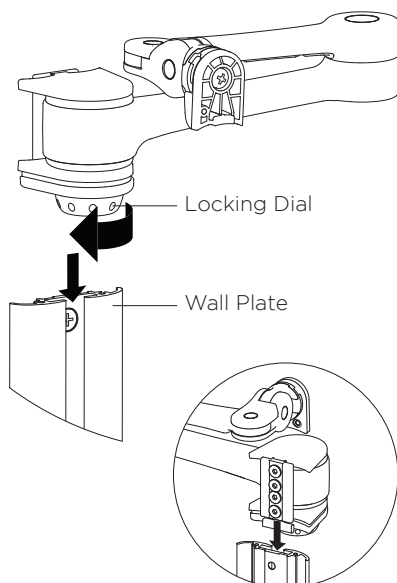


2. Choose the appropriate installation procedure depending on your wall type

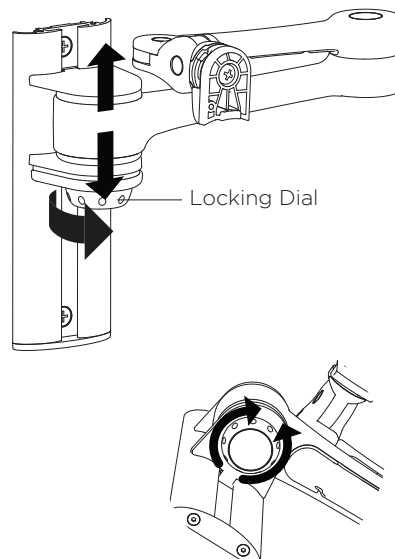


3. Mount Arm Assembly

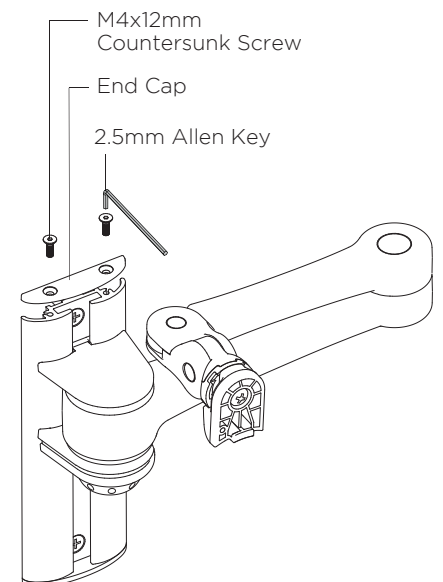
3.1 Unlock the Locking Dial before inserting the Arm Assembly into the Wall Plate



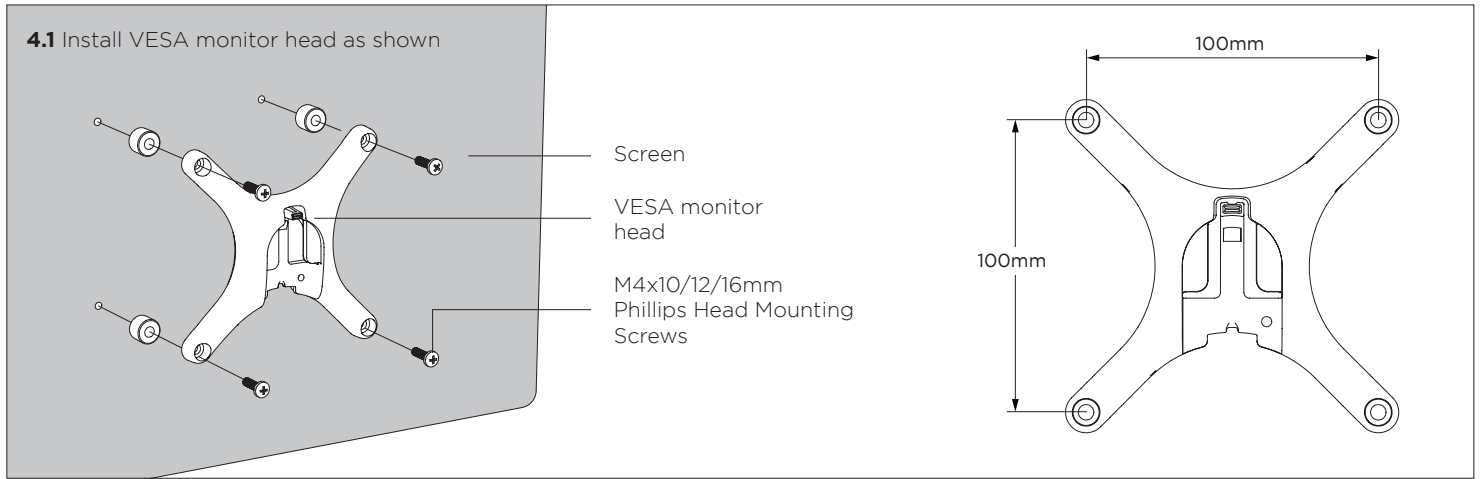
3.2 Slide the Arm Assembly to the preferred height and lock to secure the arm



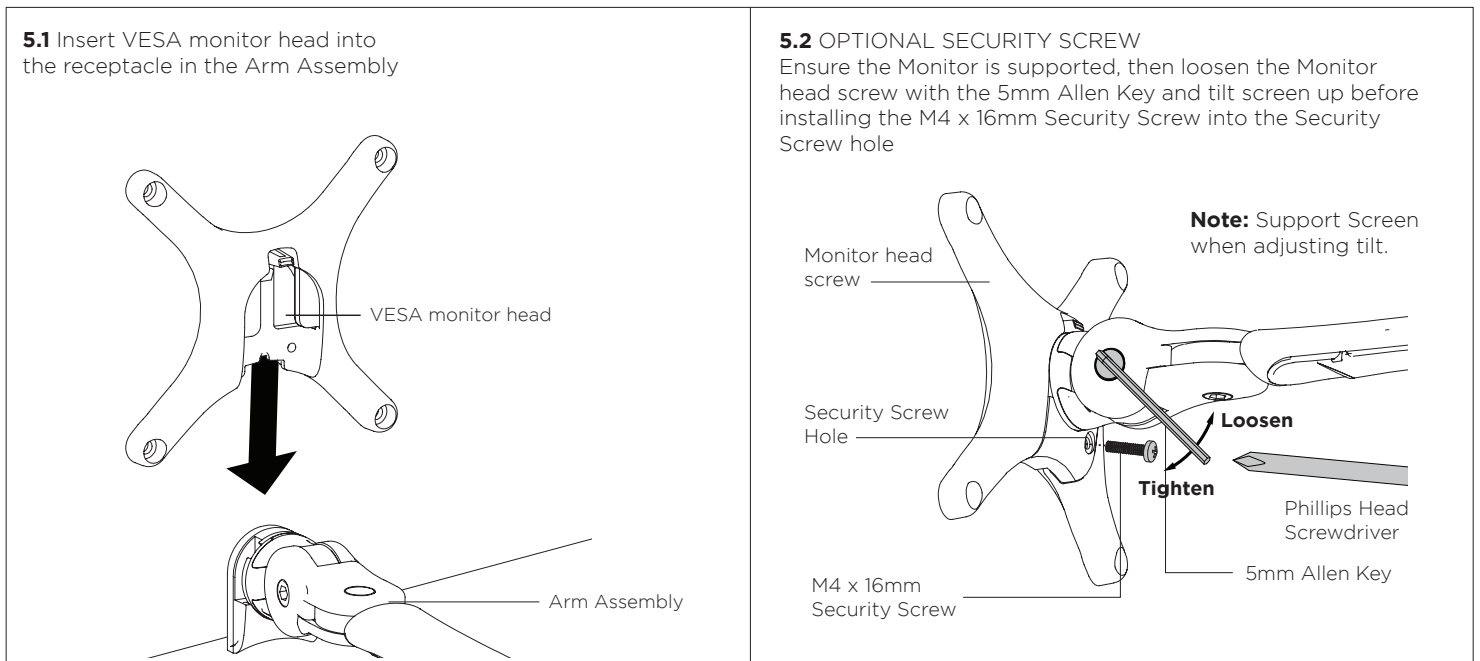
3.3 Secure the End Cap with the supplied M4x12mm Countersunk Screws and 2.5mm Allen Key



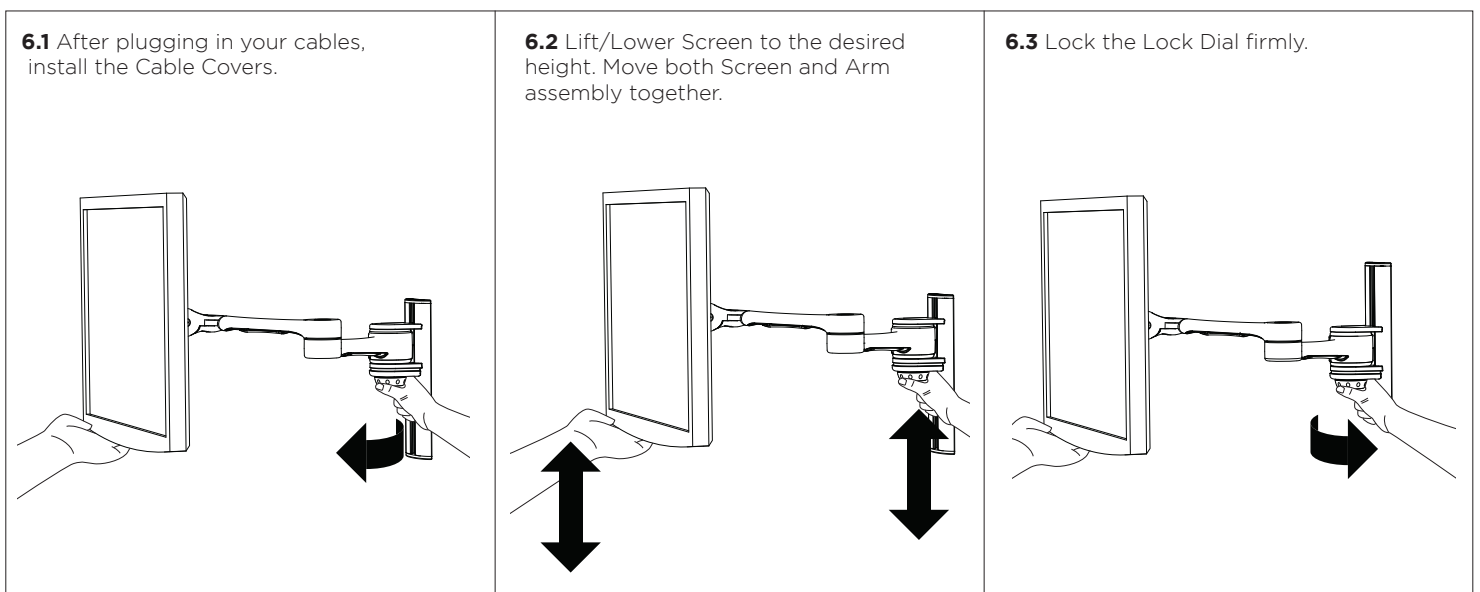
4. Install VESA monitor head



5. Mounting Monitor

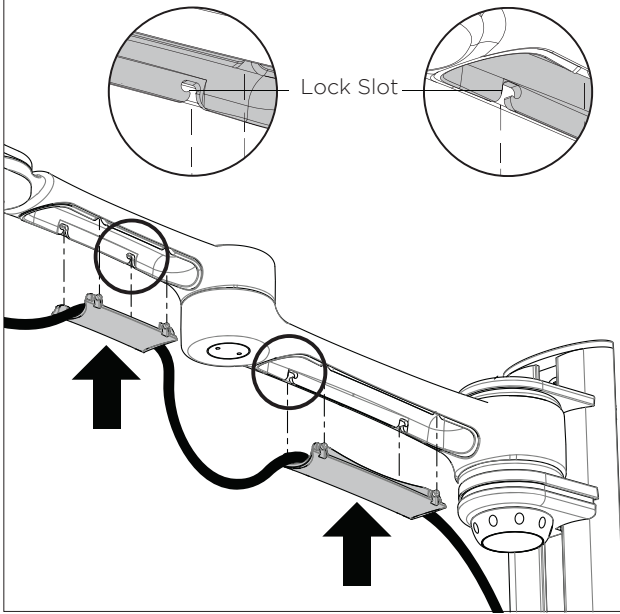


6. Adjusting Height

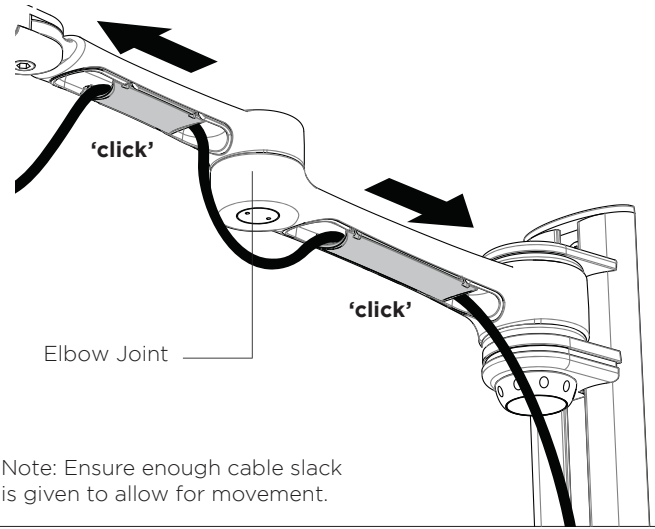


7. Cable Management

7.1 After plugging in your cables, install the Cable Covers. Insert Cable Covers up into Lock Slots.

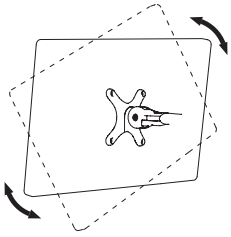


7.2 Push Cable Covers away from Elbow Joint to secure in place.



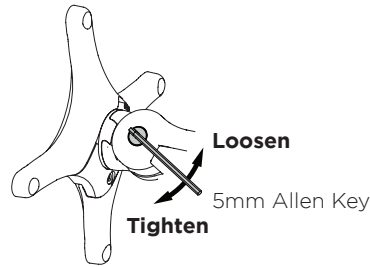
8. Adjusting the Display Bracket

Portrait/ Landscape



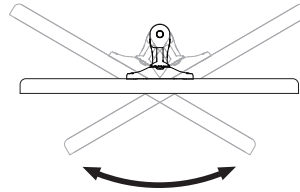
No Allen Key necessary

Tilt (Screen angle up/down)



Note: Support Screen when adjusting tilt.

Pan (Screen angle left/right)



No Allen Key necessary

VESA 75 x 75 / 100 x 100mm

