

Micro Desktop Monitor Mount

Mounting Options

Micro desktop monitor mount includes bolt through and desk clamp mounting options

Desk clamp

Suits desktop thicknesses of 0-76mm (0"-3")

Bolt Through

Suits desktop thicknesses of 12-40mm (0.5"-1.5")

Display Mounting Options

VESA 75 x 75mm

VESA 100 x 100mm

Weight Range

Flat monitor 0-8kg (0 - 17.6lbs)

Curved monitor 0-5.5kg (0 - 12lbs)

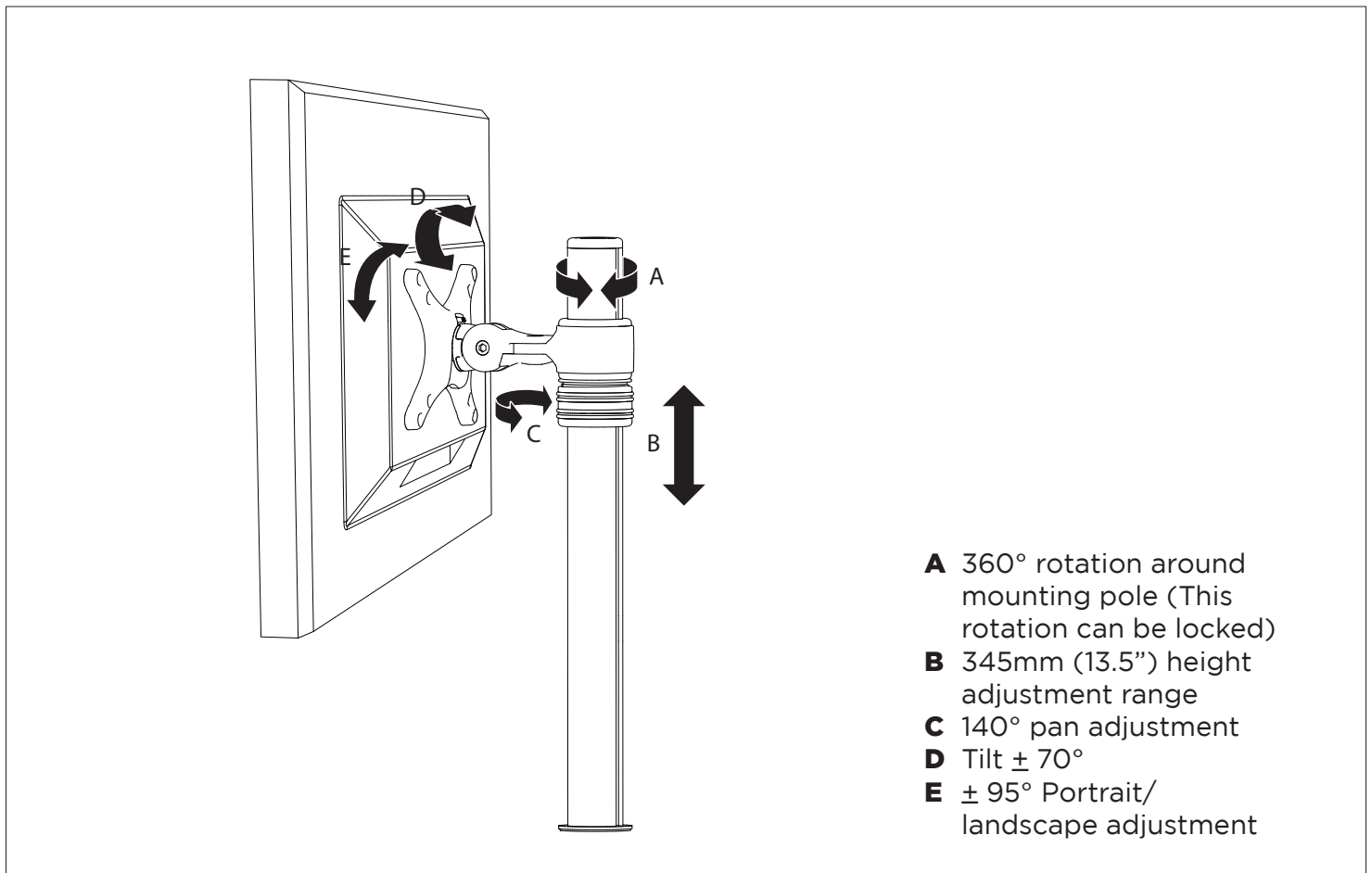
*Curved monitors, deep devices (such as all-in-one PCs) and offset VESA locations exert additional leverage that can exceed the capacity of the mount even though the monitor weight may be within the stated range. Please contact Atdec if you would like further information.

Consist of

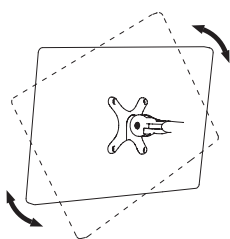
Micro arm
Fasteners
Mounting hardware

Warranty

10 years limited

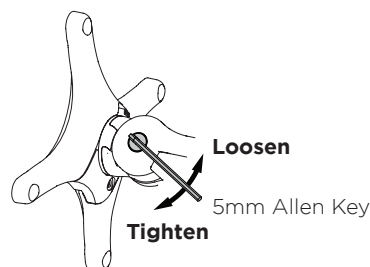


Portrait/ Landscape



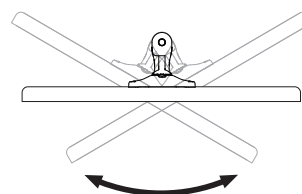
No Allen Key

Tilt (Screen angle up/down)



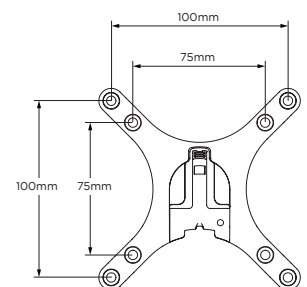
Note: Support Screen when adjusting tilt.

Pan (Screen angle left/right)

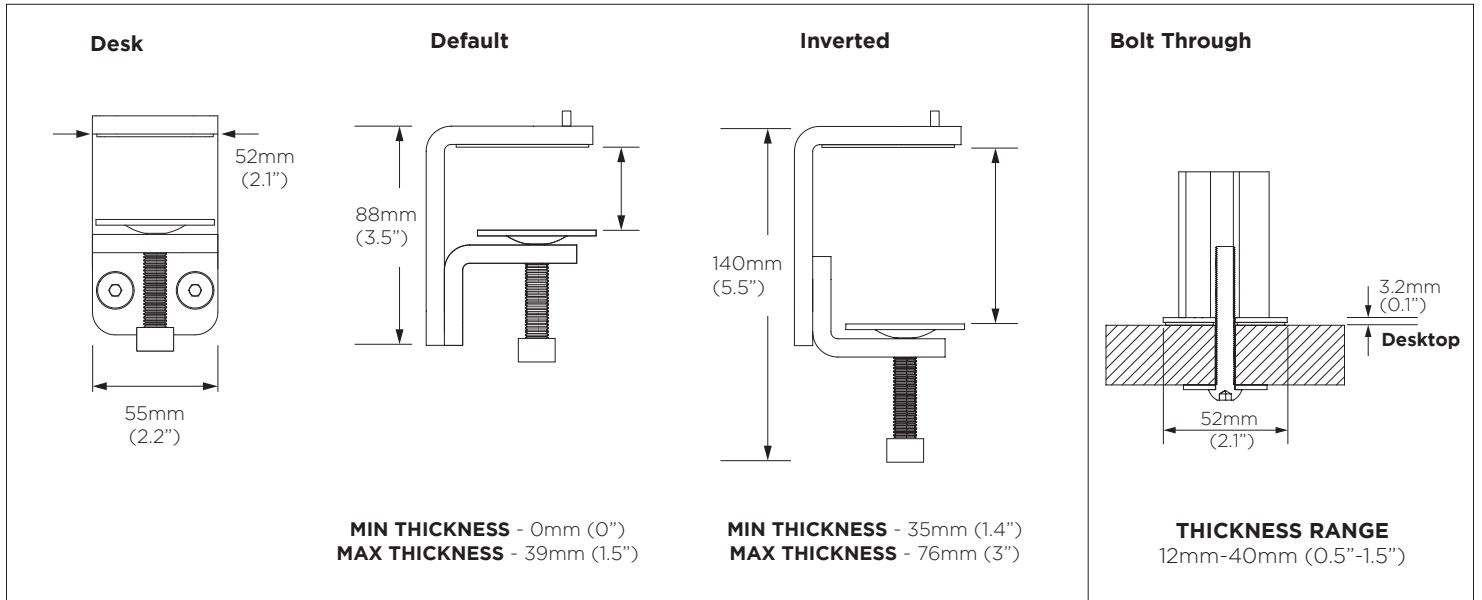


No Allen Key necessary

VESA 75 x 75 / 100 x 100mm



Mounting Options



Overall Dimensions

