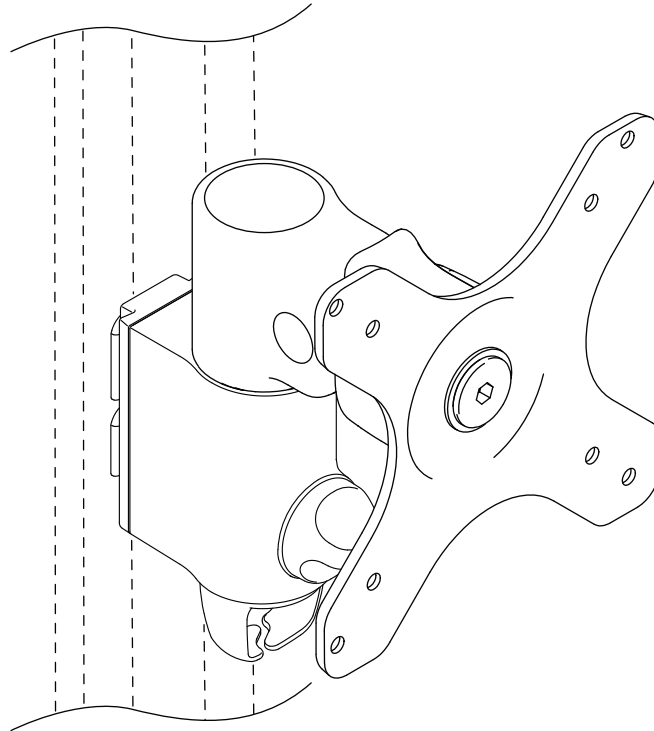
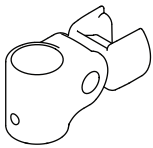


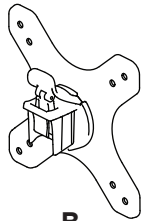
130 Arm



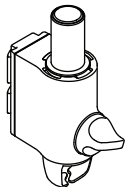
COMPONENT CHECKLIST



A
Monitor Arm
(x1)



B
VESA Head
(x1)



C
Post Clamp
(x1)



D
Screw
M4x25mm
(x4)



E
Screw
M4x16mm
(x4)



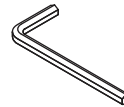
F
Screw
M4x12mm
(x4)



G
Spacer
(x4)



H
Security
screw
(x1)



I
4mm
allen key
(x4)

Desk 

REQUIRED TOOLS

- Phillips Head Screwdriver

WEIGHT RANGE

Flat Monitors

0 - 12kg
(0 - 26.5lbs)

Curved Monitors

0 - 8kg
(0 - 17.6lbs)

Monitor weight should be within the weight range of all modular elements that make up the complete monitor mounting solution.

IMPORTANT INFORMATION

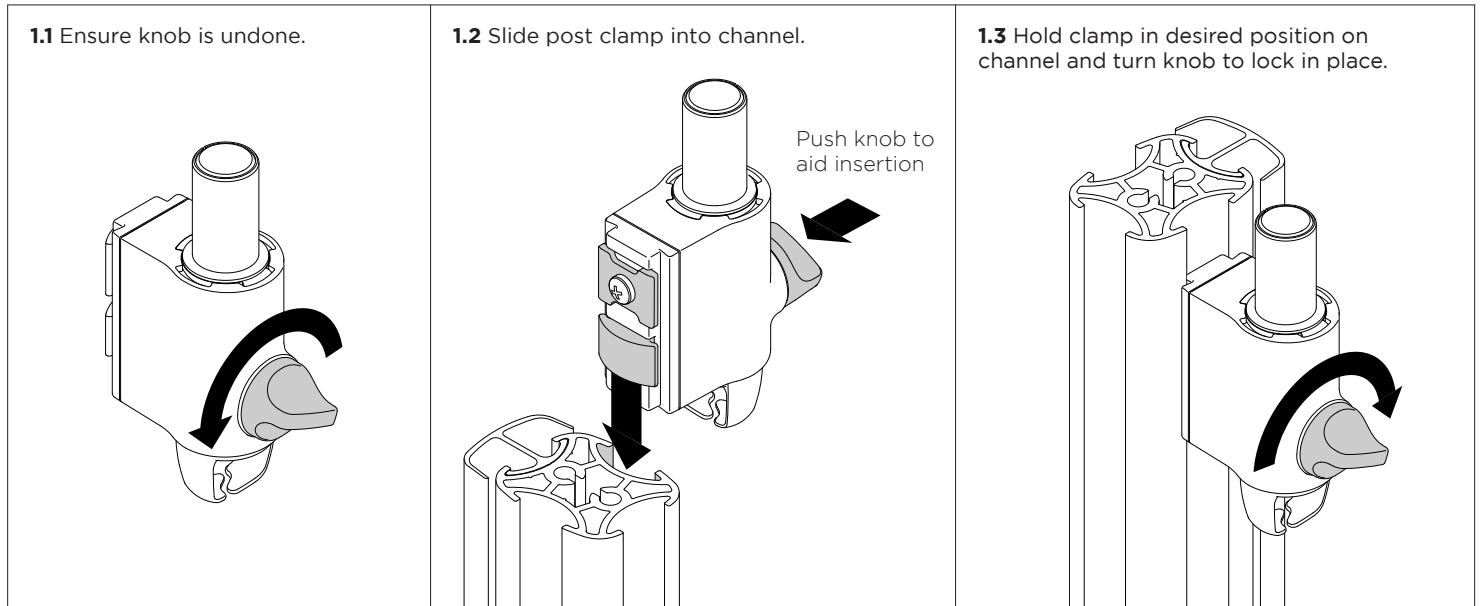
! Please ensure this product is installed as per these installation instructions.

! The manufacturer accepts no responsibility for incorrect installation.

! This product is compatible with Atdec AWM Series products.

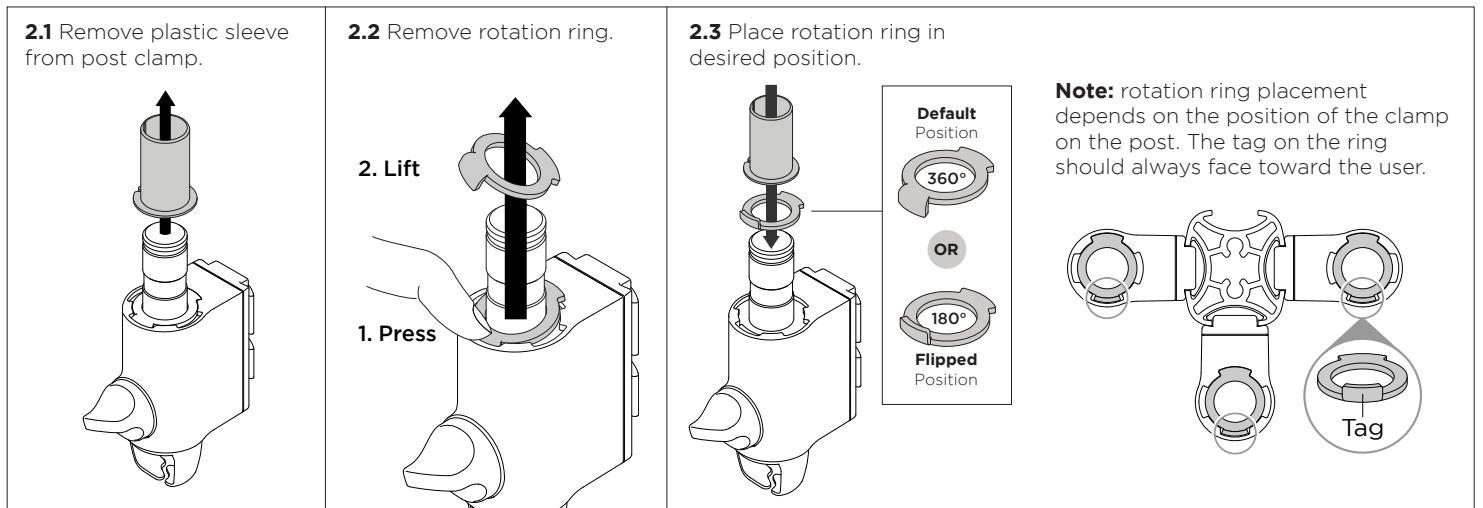
! Curved monitors, deep devices (such as all-in-one PCs) and offset VESA locations exert additional leverage that can exceed the capacity of the mount even though the monitor weight may be within the stated range. Please contact Atdec if you would like further information.

1. Fix clamp to Post or Wall Channel

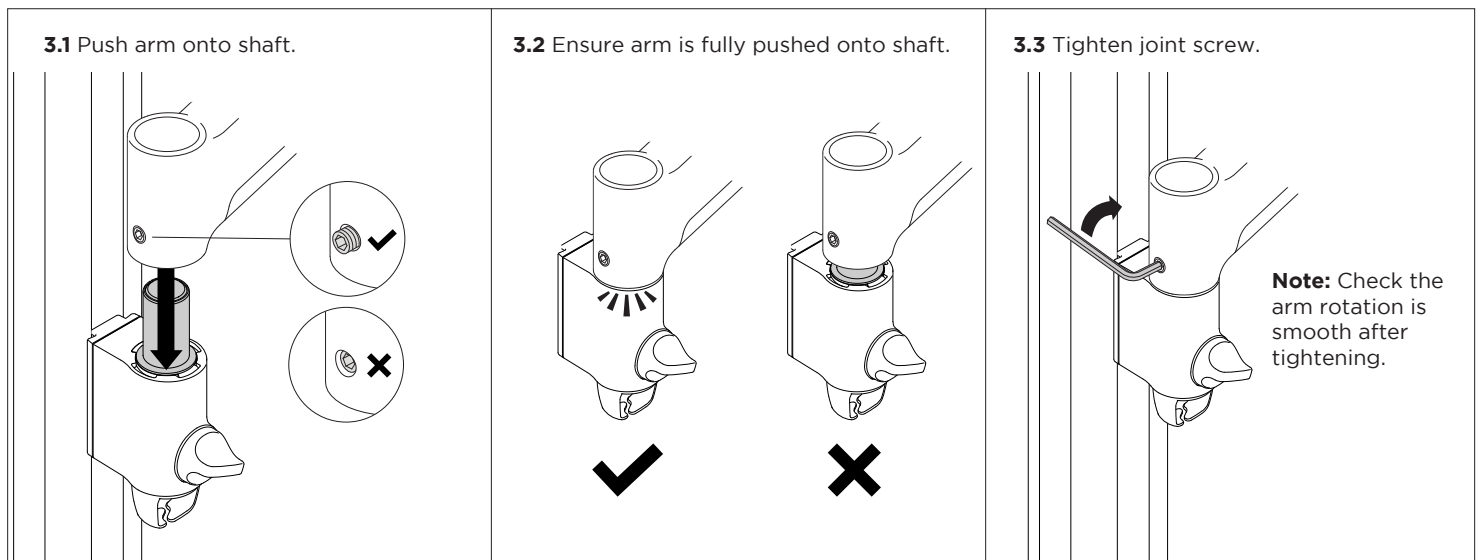


2. Set arm rotation to 180° (optional)

Note rotation is set to 360° by default.

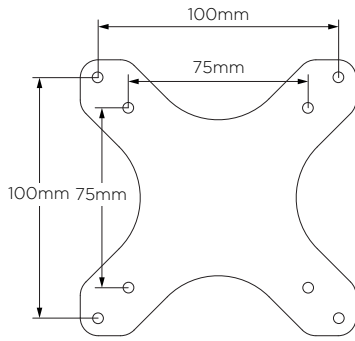


3. Fit arm onto post clamp



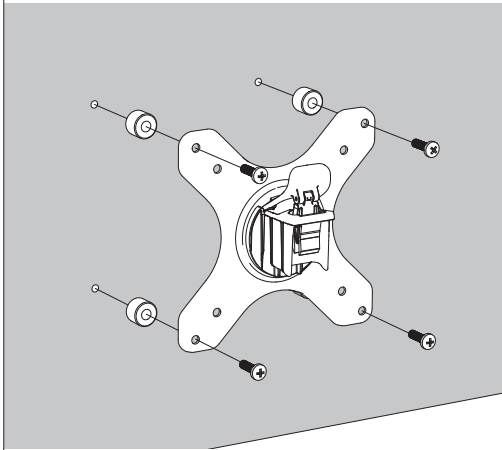
4. Attach VESA head to monitor

4.1 VESA mounting compatibility



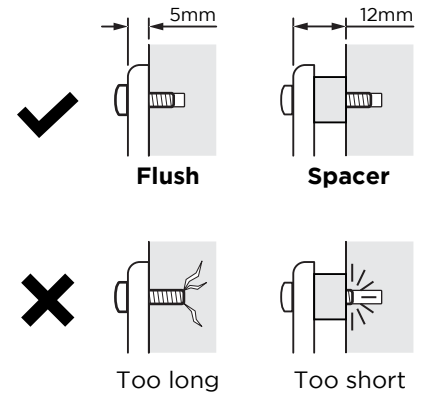
Note: For other sizes, use a suitable adaptor plate (sold separately).

4.2 Screw the VESA head onto monitor



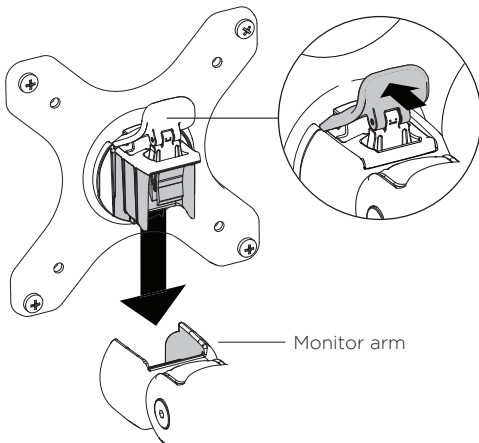
Note spacers may be required for curved, recessed or uneven monitor surfaces.

4.3 Ensure the correct screw length is used to attach the monitor.

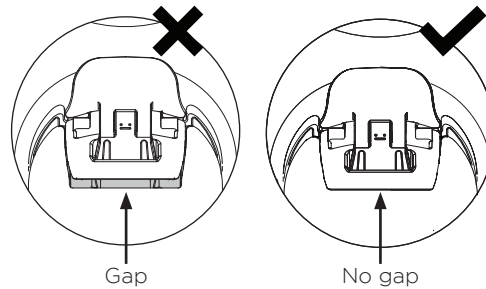


5. Mount monitor

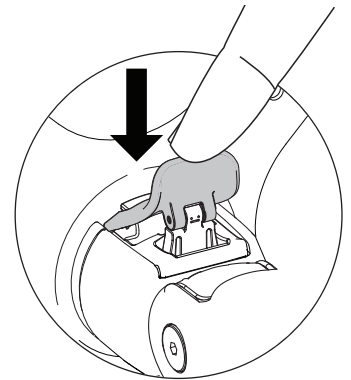
5.1 Insert VESA head into the monitor arm



5.2 Ensure that the VESA head sits flush within the monitor arm. There should be **no gap**

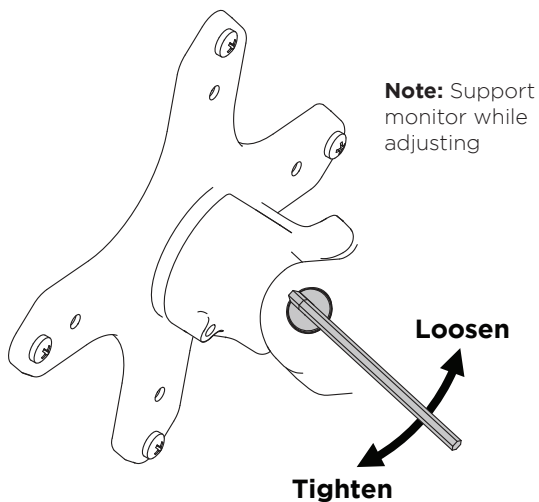


5.3 Push the lever down to secure it to the arm assembly



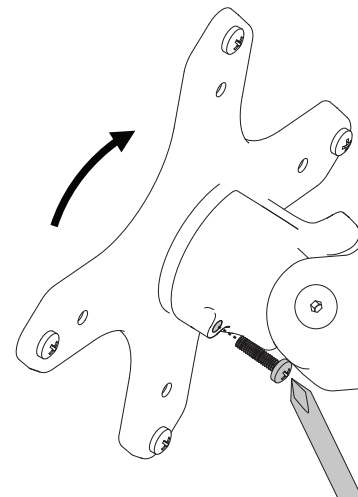
6. Adjust tilt tension & Install security screw

6.1 Use the allen key to adjust the tilt tension until the monitor holds in a vertical position at the end of the arm.



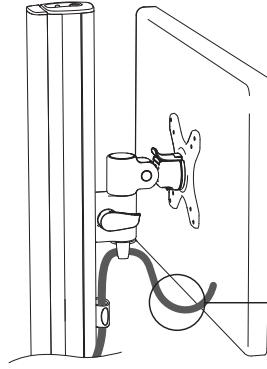
6.2 **OPTIONAL** security screw

To install the optional security screw tilt the head upwards



6. Monitor arm cable management

6.1 Plug cables into the monitor and route the cables down the arm using the cable hooks and clips.

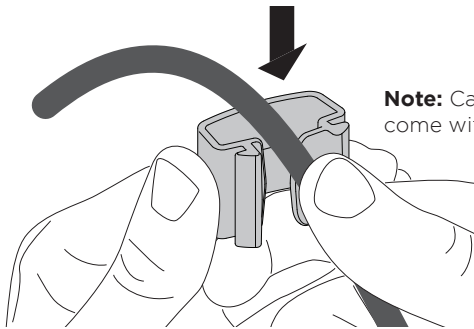


Important:

Ensure enough cable slack is given to allow for movement of the monitor

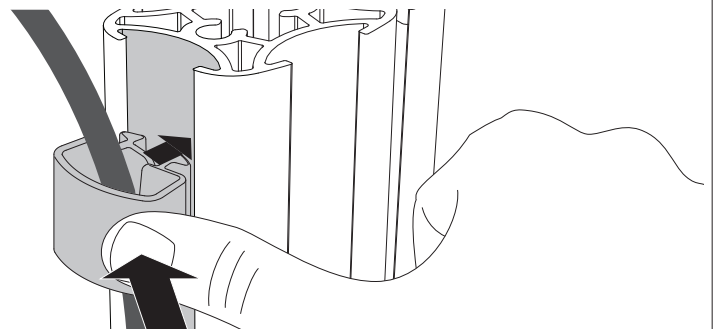
7. Post cable management

7.1 Push the cable down into the cable clip

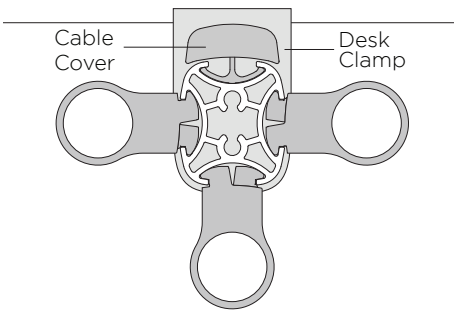


Note: Cable clips do not come with all posts

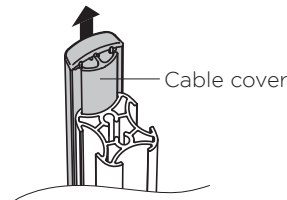
7.2 Push cable clip into post channel



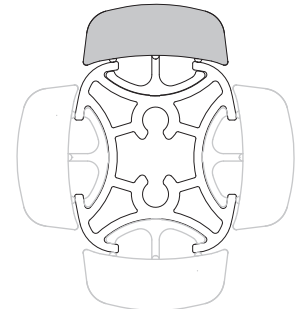
7.3 Recommended post cable cover position for double or triple arm set-ups



7.4 To reposition the cable cover, pull it straight up and out of the post and insert it into any of the available channels

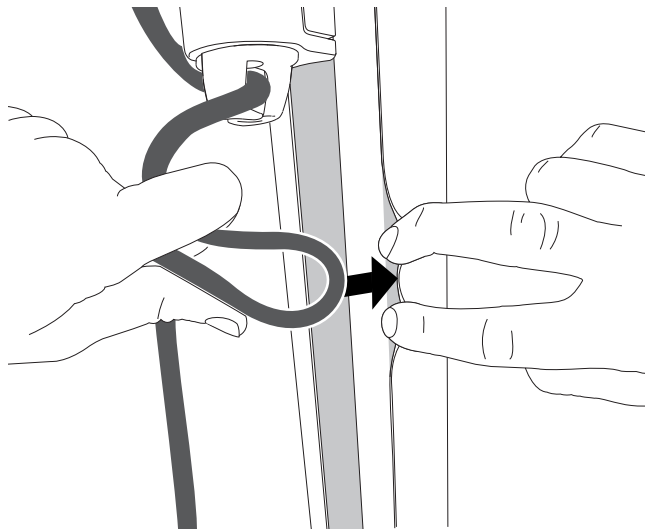


Note: The cable cover shown does not come with all posts



Alternative cable cover positions

7.5 Loop cable and insert into cable cover



7.6 Feed remaining cable into cover

