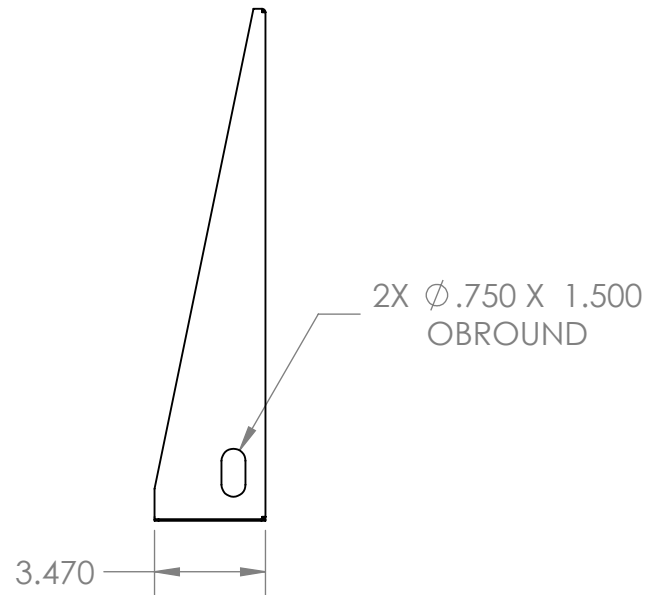
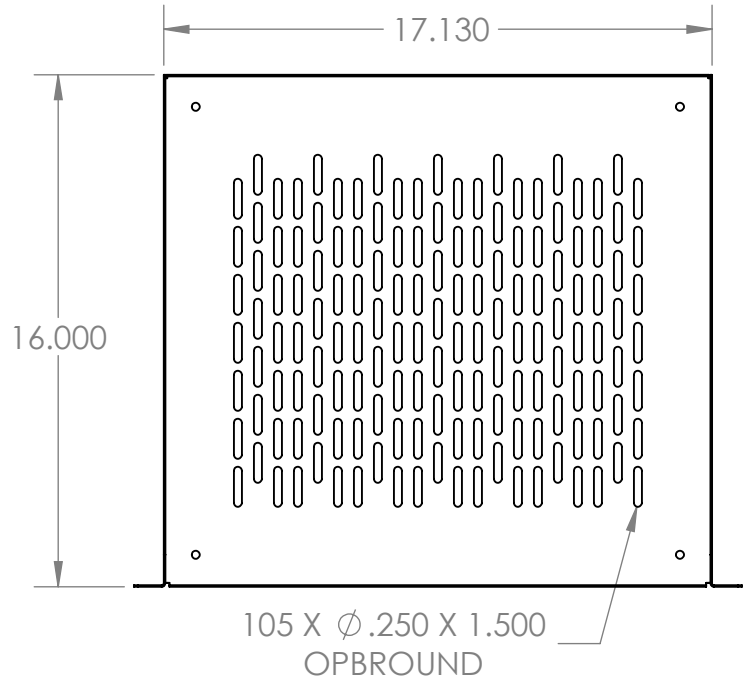


5 4 3 2 1

D

D

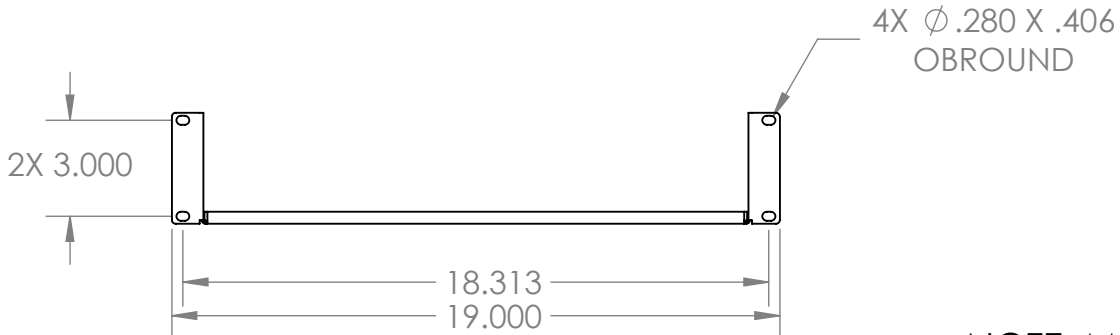


C

C

B

B



NOTE: MEDIUM TEXTURE POWDER COAT, BLACK

A

A

KENDALL HOWARD CONFIDENTIAL
 THE INFORMATION CONTAINED IN THIS DRAWING IS THE SOLE PROPERTY OF KENDALL HOWARD. ANY REPRODUCTION IN PART OR AS A WHOLE WITHOUT THE WRITTEN PERMISSION OF KENDALL HOWARD IS STRICTLY PROHIBITED.

UNLESS OTHERWISE SPECIFIED, ALL DIMENSIONS ARE IN INCHES.

TOLERANCES:
 FRACTIONAL: ±1/8
 ANGULAR: ±1°
 TWO PLACE DECIMAL: ±.03
 THREE PLACE DECIMAL: ±.010
 HOLE: ±.005

APPROVAL	DATE
DRAWN	
DESIGN	
ENG APPR	
MFG APPR	

KENDALL HOWARD

TITLE:
Rack Shelf, Vented, Fixed, 16.00", 2U

MANUFACTURING COMMENTS:

MATERIAL:

SURFACE AREA (in²):

FINISH ID:

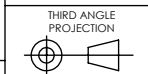
FINISH DESCRIPTION:

LEGACY Part Number:

CLASSIFICATION:

SIZE DWG. NO. REV

A LDRS2U16V WP **A**



INTERPRET DIMENSIONS AND TOLERANCES PER ASME Y14.5-2009

DO NOT SCALE DRAWING

SCALE: 1:8 WEIGHT (lbs): 4.13 SHEET 1 OF 1

ECO No:	Description:	By:	Date:	App By:
---------	--------------	-----	-------	---------

5 4 3 2 1