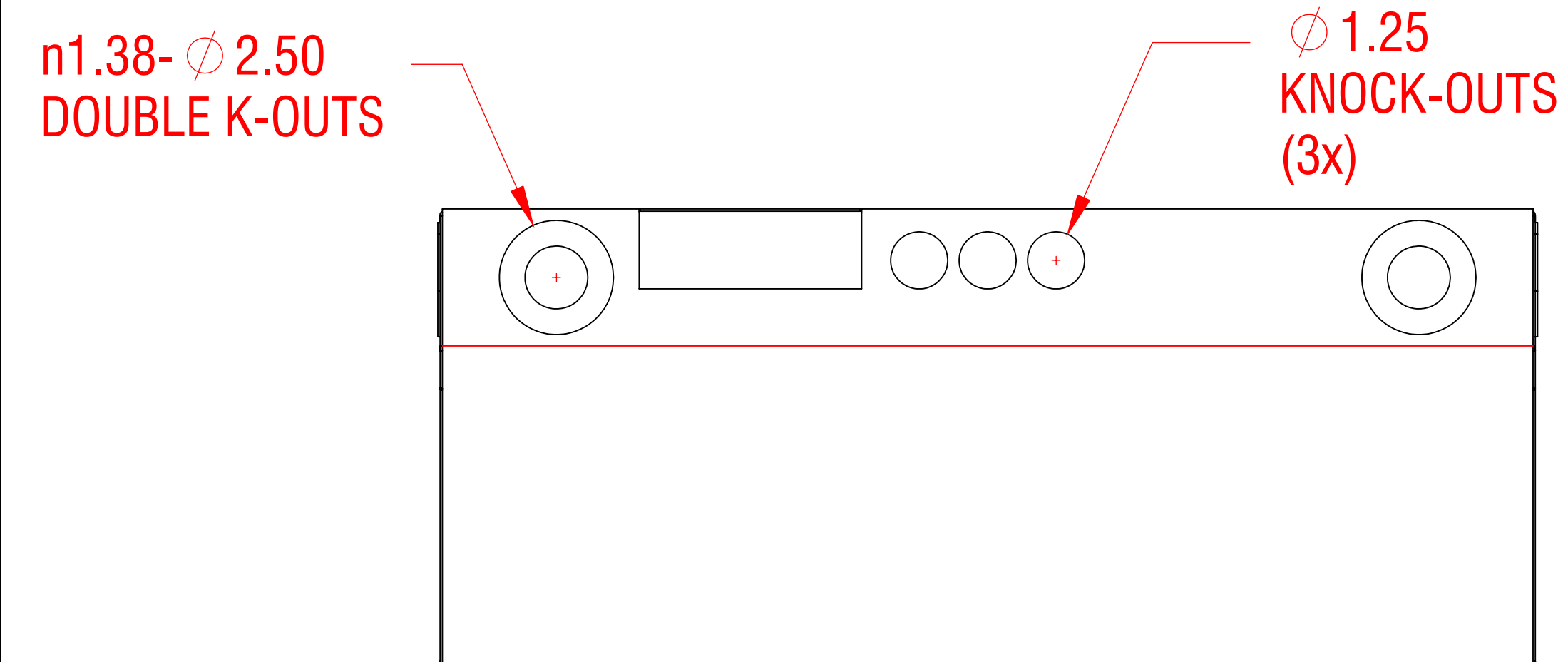


**TRANS-IT BOX ENCLOSURE: 24.00" x 24.00" x 10.00"**  
**PART NO.: WTB24M-4**

REVISIONS			
REV	ECO	DATE	DESCRIPTION
--	--	--	--

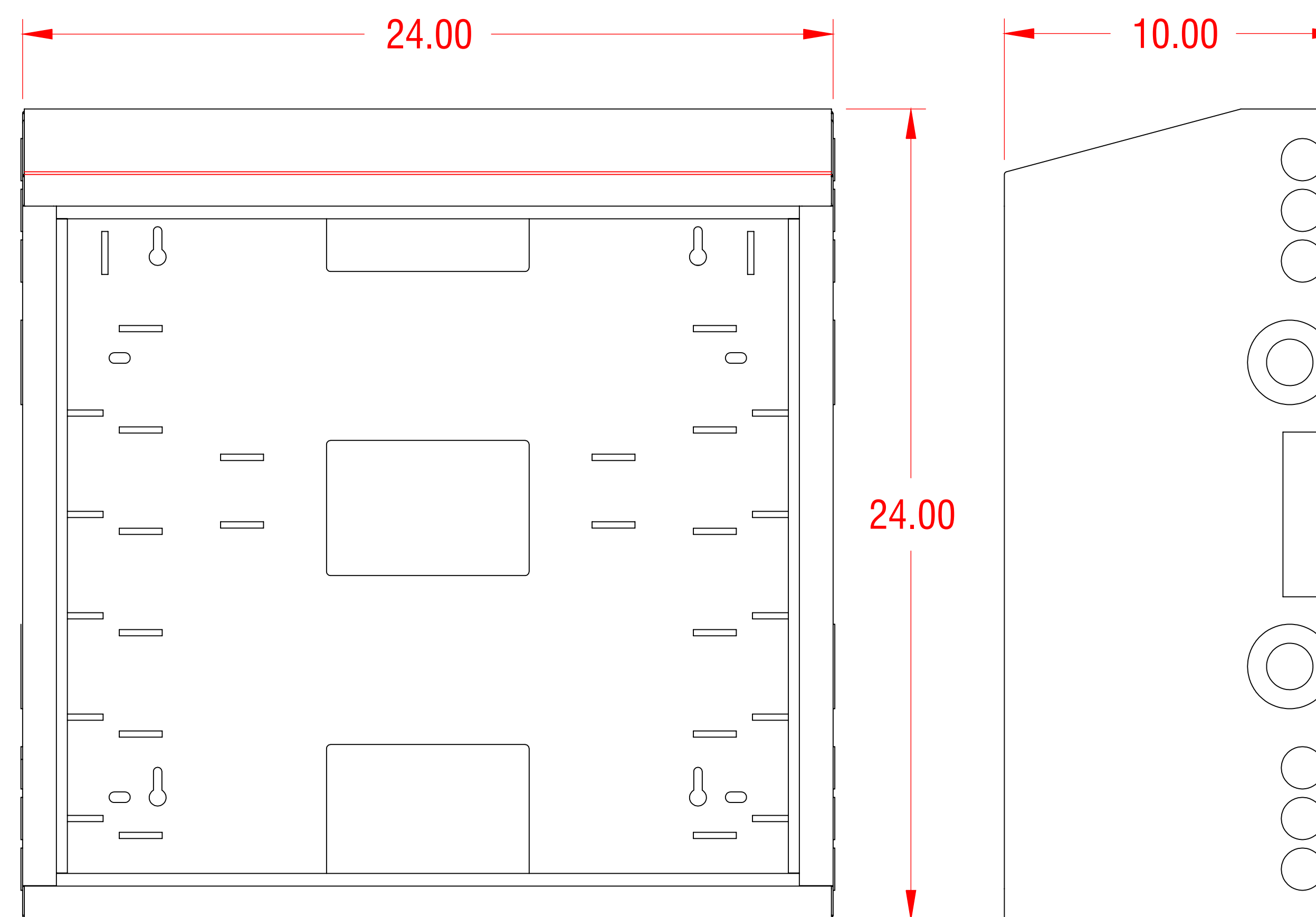
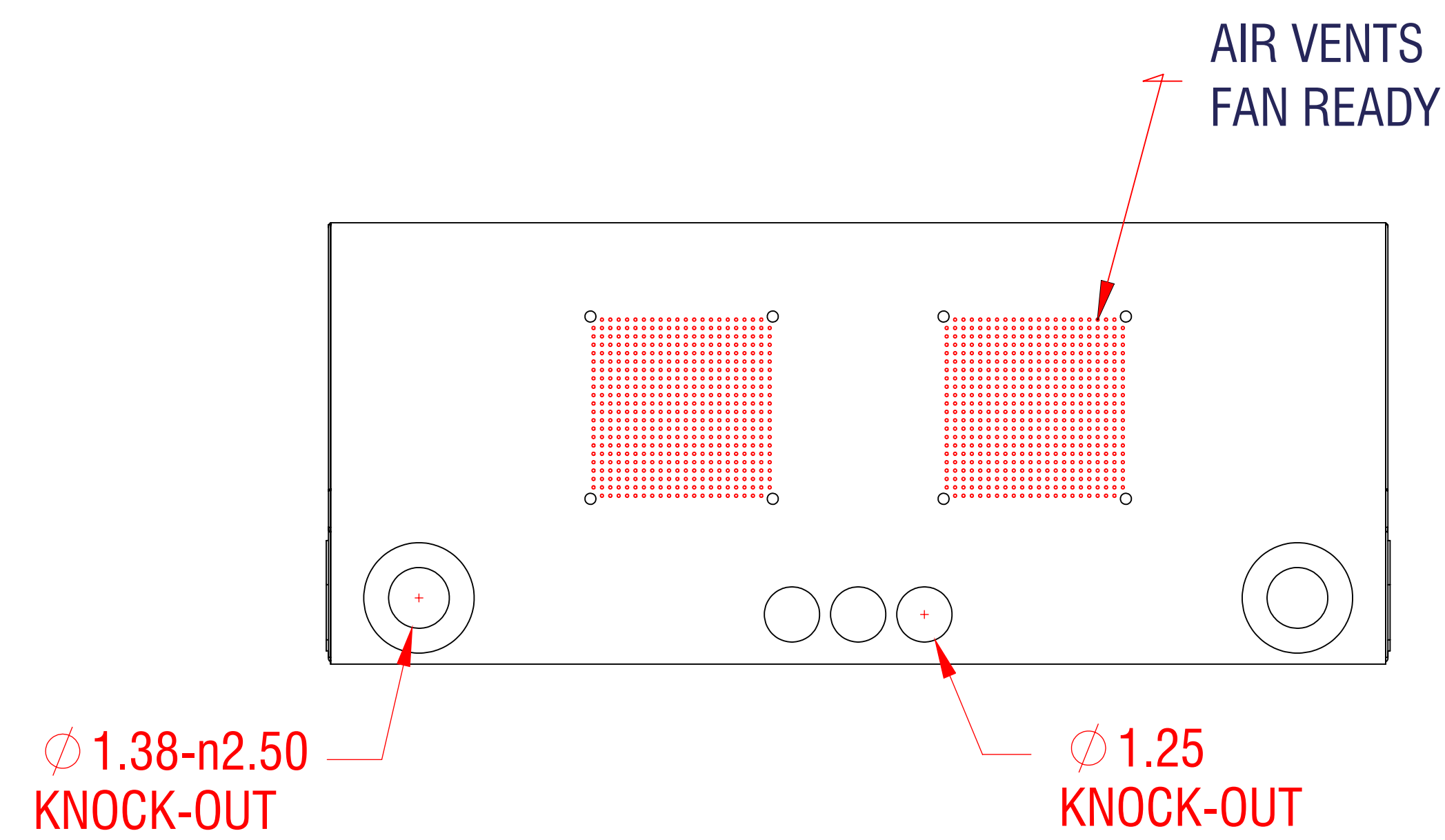
**TOP VIEW**

SOLID  
 1.25" KNOCK-OUT (3x)  
 1.38-2.50" DOUBLE KNOCK-OUT (2x)



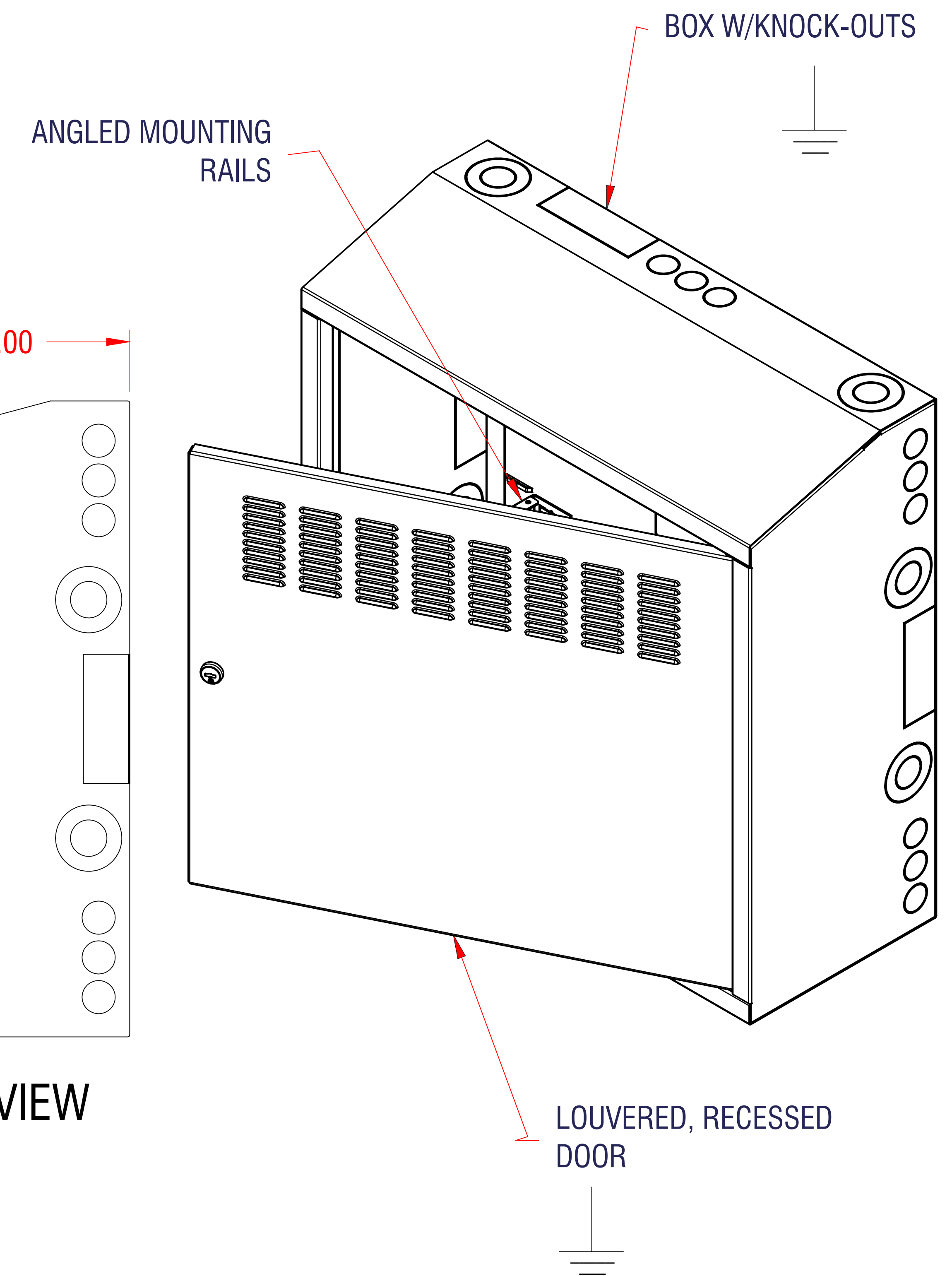
**BOTTOM VIEW**

VENTED  
 1.25" KNOCK-OUT (3x)  
 1.38-2.50" DOUBLE KNOCK-OUT (2x)



TOP VIEW

SIDE VIEW



**WTB24M-4 TRANSIT-BOX**

- \* COLD ROLLED STEEL CONSTRUCTION
- \* 100 LBS. LOAD CAPACITY
- \* ONE PAIR OF ANGLED 19"/4U PATCH PANEL MOUNTING RAILS 12-24 TAPPED PER EIA STANDARD. (HINGE DOWN FOR ACCESS)
- \* ONE PAIR OF 19"/4U HUB, ADJUSTABLE MOUNTING BRACKETS 12-24 TAPPED
- \* VENTED, FAN READY BOTTOM
- \* CONDUIT ENTRANCES ON TOP, BOTTOM AND SIDES
- \* DURABLE POWDER COAT GRAY TEXTURED
- \* UL LISTED

**DIMENSION**

HEIGHT: 24.00"  
 WIDTH: 24.00"  
 DEPTH: 10.00"

**RAIL**

12-24 TAPPED  
 19.00" RACKABLE  
 4U HORIZONTAL  
 (ADJUSTABLE)

**DOOR**

LOUVERED, RECESSED  
 STANDARD CH-751 LOCK  
 DIMS: 20.00"H x 22.00"W x 0.63"D

<b>DAMAC</b> PRODUCTS INC. LA MIRADA, CA 90638	ALL INFORMATION ARE PROPRIETARY DATA OF DAMAC PRODUCTS INC. ANY REPRODUCTION/USE IN ANY FORM MUST HAVE PRIOR WRITING AGREEMENT W/ DAMAC. TOLERANCE .XXX±.010 .XX±.030 .X±.060 *(DEG)±.5 ALL DIM. ARE IN INCHES UNLESS OTHERWISE SPECIFIED	TRANS-IT WALL ENCLOSURE 24.00 x 24.00 x 10.00 W/12-24 TAPPED RAILS	PART NO. WTB24M-4	CHECKED BY: CR SCALE: N/A	MATERIAL: N/A FINISH: EPOXY POWDER-COAT MAX BEND R=.030, RELIEF=.060 A/F UNLESS OTHERWISE SPECIFIED
		DRAWN BY: AP DATE: 11.30.2010	SHEET: 1 OF 1 REV: A		