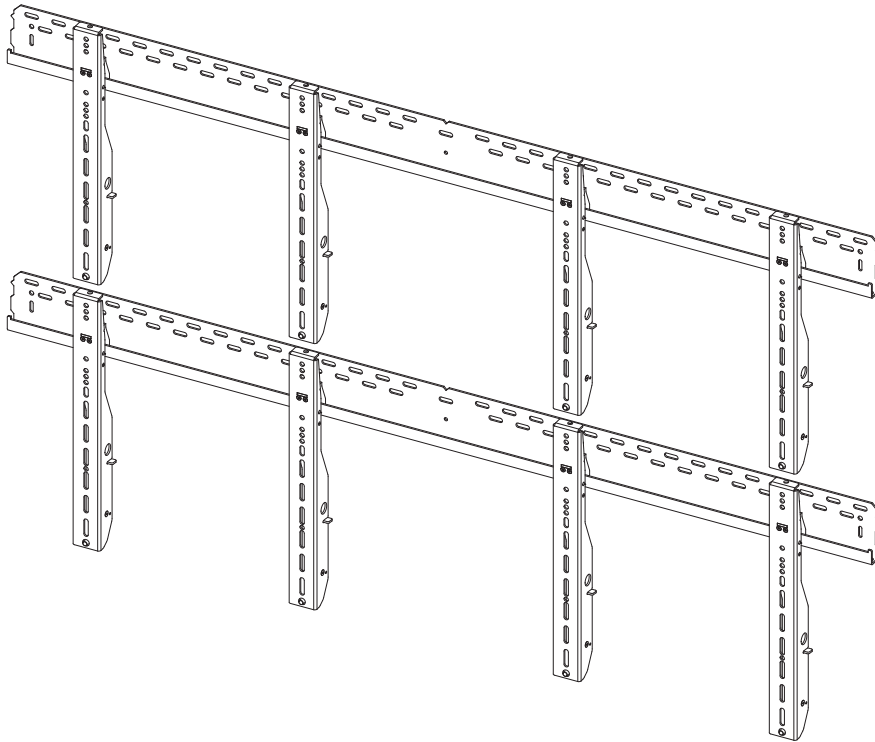


### TH Universal Video Wall Mount

TH-VWP-050  
TH-VWP-080  
TH-VWP-100  
TH-VWP-160  
TH-VWV  
TH-VWVP



#### FEATURES

- This modular, scalable system can be configured to accommodate different sizes, quantities and orientations of displays.
- Interconnecting Wall Plates for easy alignment.
- Simple hook-on display installation.
- Vertical and horizontal display alignment adjustment.
- Built in support stand for display cabling and maintenance.
- Security fixing points for optional locking of displays.

#### Weight range

**Per Wall Plate**

0-165kg (0 - 363lb)\*

**Per Bracket Pair**

0-165kg (0 - 363lb)\*\*

#### Height Adjustment

+/- 5mm

#### VESA mounting

**Horizontal**

200 - Unlimited

**Vertical TH-VWV**

200 - 400

**Vertical TH-VWVP**

200 - 800

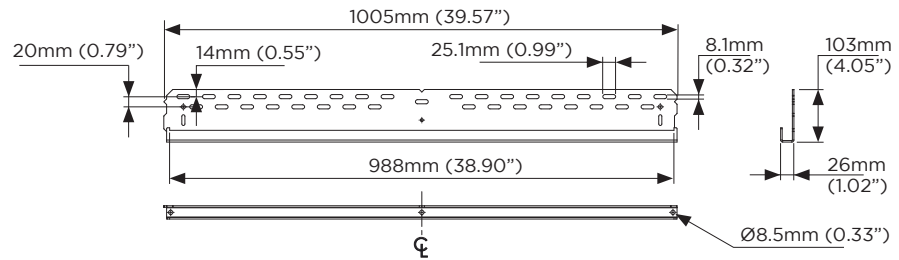
\*Wall Plate only achieves maximum weight rating when appropriately fastened to a wall of adequate structural capacity.

\*\*Curved monitors, deep devices (such as all-in-one PCs) and offset VESA locations exert additional leverage that can exceed the capacity of the mount even though the monitor weight may be within the stated range. Please contact Atdec if you would like further information.

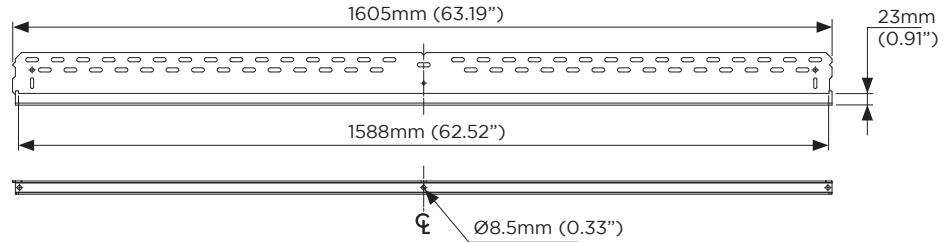
#### WARRANTY

10 years limited

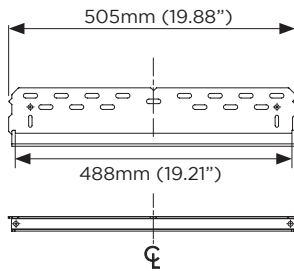
### TH-VWP-100



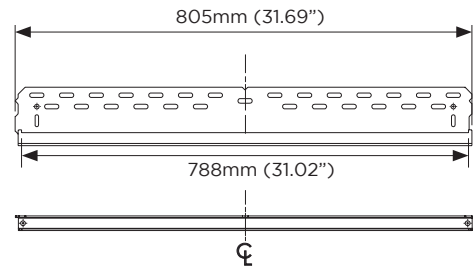
### TH-VWP-160



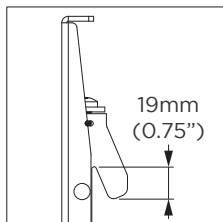
### TH-VWP-050



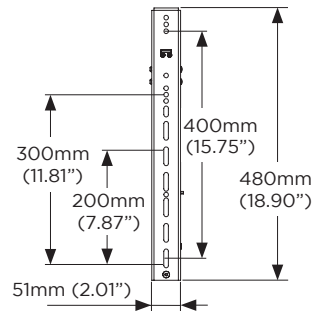
### TH-VWP-080



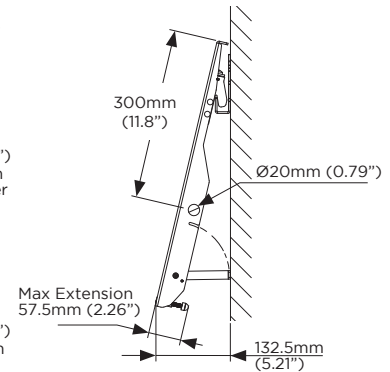
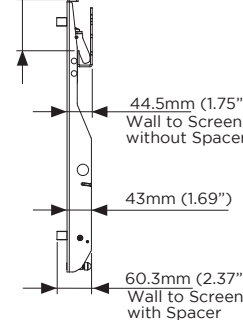
### TH-VWV



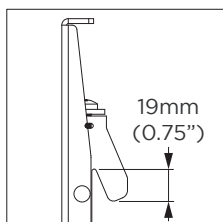
Bracket hook height



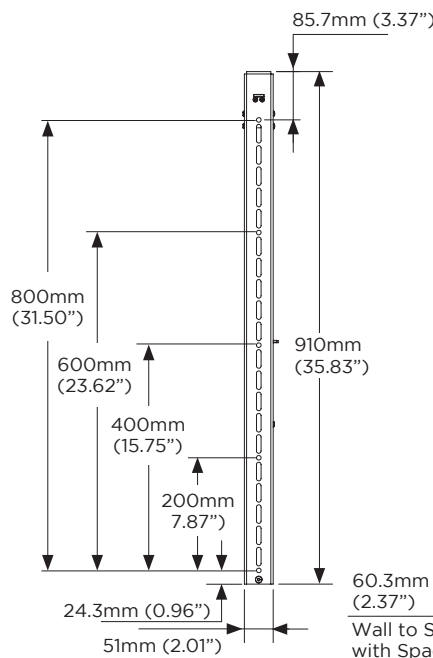
Range: 90mm (3.74") to 100mm (3.94")



### TH-VWVP



Bracket hook height



Range: 90mm (3.74") to 100mm (3.94")

